

Acacia Fraternity Foundation 2022-23 Annual Report



ACACIA FRATERNITY FOUNDATION, INC.
12721 Meeting House Road • Carmel, IN • 46032 • (317) 872-8210
E-mail: acacianat@acacia.org • Website: acacia.org/foundation

Acacia Fraternity Foundation 2022-2023 Annual Report

Acacia Fraternity Foundation

"Preparing Tomorrow's Leaders"

2022-2023 Annual Report

August 5, 2023

Introduction

This month the Acacia Fraternity Foundation celebrates its **34th Anniversary**. Founded in 1989, the Acacia Fraternity Foundation makes it possible for Acacians and friends of Acacia to make tax-deductible contributions to support the educational activities of Acacia Fraternity and provide scholarships for undergraduates.

The Foundation received over **\$1.1 million** from **1,064** contributors during the fiscal year ending June 30, 2022. At year end, Foundation assets were **\$4 million**. Over the last 35 years, 6,910 Donors representing 95 different Chapters and Colonies, and friends of Acacia have contributed over **\$17.6 million** dollars to the Foundation for these purposes.

Leadership Gifts – *The Black & Gold Brigade*

The Black & Gold Brigade recognizes leadership gifts from members whose contributions to the Foundation. This fiscal year, 146 Acacians and friends of Pythagoras made gifts of \$1,000 or more between July 1, 2022 and June 30, 2023. *Thank you!*

\$200,000 and above

Daniel R. Lang, Northwestern

\$50,000 to \$99,999

Ernest W. Scheerer, Purdue

William A. Utic, Cornell

Daryl J. Woodard, Illinois

\$20,000 to \$49,999

Dewayne E. Ullsperger, Nebraska

Robert E. Walberg, Illinois

Leonard W. Kearney, Oregon State

Richard I. Williams, Grand Valley State

Robert E. Garrow, Indiana

\$10,000 to \$19,999

Rollin J. Smith, Kansas State

George E. Hansell, Purdue

Diana Smith,

Larry E. Schroeder, Georgia

Robert G. Travnicsek, MD, Kansas

Steven B. Cutshall, Purdue

Brock P. Nolan, Indiana

Dr. George F. Rapp, Indiana

Fredrick C. Garrott, Illinois

Dr. Leonard & Iona Ling Foundation,

\$5,000 to \$9,999

Darold W. Larson, Washington State

Kris R. Lutt, Nebraska

Per Hilmo, Washington State

David L. Ferguson, Indiana

Jed W. Morris, Washington State

Craig A. Hubbell, Washington

Brian S. Strayer, Ohio State

\$5,000 to \$9,999, continued

Jed W. Morris, Washington State

Craig A. Hubbell, Washington

Brian S. Strayer, Ohio State

John W. Wedgwood, Purdue

Aaron P. Darcy, Indiana

Brian R. Durst, Wisconsin

Randolph K. Shoup, DDS, Indiana

Timothy L. Bray, Indiana

Morgan J. Lynge, Jr., Illinois

Jeffrey D. Peotter, Illinois

Clifford D. Nelsen, Indiana

Thomas S. Hartman, Washington State

Robert R. Myers, Jr., Stephen F. Austin

\$2,500 to \$4,999

Byron A. Tabor, Iowa

Gregory J. Hamer, Sr., Louisiana State

James L. McFarland, Wisconsin

John F. Beering, Purdue

Guy G. Gebhardt, Illinois Wesleyan

David R. Quick, Rensselaer

Michael P. Fillman, Western Ontario

W. Jeffrey Neal, Kansas State

David W. Zier, Oregon State

Mark J. Ladd, Illinois

David M. Lemke, Wisconsin

Charles F. Martin, III, Purdue

Robert J. Barlow, Indiana

Lance M. Landes, Indiana

Jeffrey D. Cary, Illinois Wesleyan

Jay E. King, Indiana

Acacia Fraternity Foundation 2022-2023 Annual Report

2,500 to \$4,999, continued

Amos D. Meyers, Jr., Shippensburg
Russell E. Frew, Indiana
Michael A. Conniff, Illinois
George C. Mansfield, IV, Indiana
Wayne A. Beeder, New Hampshire
Dr. John B. Lane, Vermont
Arman Paymai, California
Gerald C. Cook, Shippensburg
Jeffrey T. Boaz, Illinois Wesleyan
Phillip S. Sutton, Ohio State
Michael L. Rollins, Washington
Christopher U. Shadix, California
Michael C. Tu, California
Arlo E. Sommers, Ohio State
Dennis L. Hudson, Illinois
Philip G. Bright, Purdue
James N. Katsaounis, Ohio
James W. Moyers, Louisiana State

\$1,500 to \$2,499

Robert E. Roberson, Illinois Wesleyan
Scott H. Meyer, St. Cloud State
Robert L. Hurni, Ohio State
Joseph M. Orlesh, Jr., Louisiana State
Curtis R. Waltz, Wisconsin
William M. Thornton, Ohio State
Marcus W. Mountford, Kansas State
Alan B. Scher, Wisconsin
William Chin, Rensselaer
Thomas A. Smith, Kansas
Daniel D. Bayston, Illinois
David A. Fruchey, Purdue
Ron Gebhardtshauer, Penn State
Charles A. Paulson, Kansas State
Michael J. Oakes, Indiana
Christopher B. Carpentier, Indiana
Steven A. Verzwyvelt, Jr., Louisiana State
Andrew Jee, Oregon State
Kenneth A. Christenson, Washington State
Steven L. Smith, Washington State
Lance K. Yokota, California
Daniel B. Williams, California
George W. Sorrells, III, Indiana
George T. Abed, Oregon State

\$1,000 to \$1,499

Dr. Gregory L. Crosby, Purdue
Dr. Dwyte E. Brooks, Sr., Northwestern
Joel J. Rogers, Wisconsin
Aaron R. Beattie, Washington State
Allan C. Campbell, M.D., Illinois

\$1,000 to \$1,499, continued

Terrance A. Ruona, Louisiana State
Daniel T. Walker, Jr., Illinois
Richard T. Freije, Jr., Purdue
Michael S. Weber, Iowa State
Steven J. Reed, Indiana
John F. Hoffner, Purdue
Harold D. Zarr, Jr., Iowa State
William H. Hernstadt, Rensselaer
John C. Davis, New Hampshire
James S. Grant, Washington State
Justin M.M. Kaplan, Carleton
Ronald T. Hopkins, Syracuse
Thomas S. Altvater, Central Missouri State
Michael A. Howard, Oregon State
Eric Jeffery Milbrandt, Iowa State
Nicholas Partipilo, Illinois Wesleyan
Calvin J. Hansen, Nebraska
Everett R. Patterson, USAF (Ret.), Illinois
Max Brooks Whitney, Illinois
Stewart L. Burger, Cornell
Robert C. Merritt, Cornell
L. David Waibel, Purdue
Robert L. Zell, Purdue
Dr. Douglas A. Gormley, Purdue
John R. Campbell, Purdue
James E. Hayes, Purdue
Herbert M. Andrews, Penn State
Eugene B. Pflughaupt, Northwestern
Donald S. Wilson, Northwestern
Dr. Lanny R. Brent, Kansas State
Travis J. Bowie, Kansas State
William M. Riley, Jr., Kansas State
Lowry L. Tims, Texas
John H. Peper, Texas
Thomas C. Cornwell, Indiana
Scott J. Houston, Indiana
Bert T. Wion, Oklahoma State
James B. Goritsan, Oregon State
Jack R. Anderson, Washington State
Alan S. Tai, Washington State
Woodrow W. Mann, Arkansas
Dale E. Redman, Louisiana State
Dr. Paul F. Witt, Illinois Wesleyan
Joseph D. Rivera, Illinois Wesleyan
P. Brent Song, Illinois Wesleyan
Robert J. Lieblein, Shippensburg
Brenda S. Miller,
Paul Dennis,
Gretchen N. Vik,
Paul E. Householder,

The 1904 Society

In 2018 the Foundation launched a recurring gift program called the 1904 Society. The 1904 Society begins at graduation and continues throughout the alumni journey. Through the 1904 Society the Foundation seeks to build a culture of continuous, life-long giving.

With the assistance of chapter advisors, the importance of giving back to Acacia is emphasized to graduating members following the Alumni Induction Ceremony. The Foundation is working with the Fraternity to include the 1904 Society in the Alumni Induction Ceremony at all chapters.

Acacia Fraternity Foundation 2022-2023 Annual Report

The foundation would like to thank and acknowledge those who have set recurring donation schedules for their participation in the 1904 Society:

Kodjo Awadjie, Washington State
Eric C. Bingen, Wisconsin
Jeffrey T. Boaz, Illinois Wesleyan
Edward J. Cardinal, California
Dr. Justin Cardisco, Nebraska
J. Scott Cleland, Ohio
Steven B. Cutshall, Purdue
John C. Davis, New Hampshire
Robert E. Davis, Iowa State
David J. Engeldinger, Wisconsin
David L. Ferguson, Indiana
J. Thomas Forbes, Indiana
Joshua J. Gannon, Oregon State
Mark D. Griffis, Central Florida
Alan D. Hoffman, Iowa State
Blake J. Hutchison, Wisconsin
Craig S. Johnson, Louisiana State
Devin E. Johnson, Iowa
Justin M.M. Kaplan, Carleton
Darold W. Larson, Washington State
Albert A. Lucenti, III, Illinois State

Patrick W. McGovern, Indiana
Michael B. Meyer, Illinois Wesleyan
Scott H. Meyer, St. Cloud State
Steven A. Nocera, Ohio State
Michael J. Oakes, Indiana
Andrea Petri, Friend of Acacia
Eric A. Rasmussen, Purdue
Joel J. Rogers, Wisconsin
Jose R. Sanchez, Jr., UCLA
Alan B. Scher, Wisconsin
Randolph K. Shoup, DDS, Indiana
Brian S. Strayer, Ohio State
Christopher L. Strommen, Wisconsin
Byron A. Tabor, Iowa
Christian Taulli, Louisiana State
William M. Thornton, Ohio State
Benjamin B. Turconi, California
Dewayne E. Ullsperger, Nebraska
Carroll J. Washington, Jr., Colorado
Michael S. Weber, Iowa State
Harold D. Zarr, Jr., Iowa State



To better serve our donors, the Foundation has added additional giving platforms for donors to give to the AFF. Beyond the traditional giving platform at acacia.org/donate we have added options for Pay Pal and Venmo.

The Evergreen Society

Each year hundreds of Acacians support our Fraternity sharing their time and talents as alumni leaders as well as generously sharing their financial resources. A growing number of Acacians are also including the Foundation in their estate planning, making legacy gifts of support for Acacia.

The transformational value of future legacy gifts from Acacians cannot be overstated. The foresight of our planned donors is critically important to growing the Foundation and enabling us to provide essential long-term financial support for the Fraternity. Acacia's continued success will be largely determined by future estate gifts to the Foundation.

This past year the Foundation received Legacy Gifts from the estates of, **Rollin J. Smith**, Kansas State, **Ernest W. Scheerer**, Purdue and **Ralph E. Braun**, LSU. For more information on estate planning, please visit acacia.planmylegacy.org

Thank you to the following alumni who have elected to become members of the Evergreen Society by naming the Acacia Fraternity Foundation in their estate plans:

Reg DeWayne Aldrich, Central Oklahoma
Gary L. Bailey, Louisiana State
John C. Barber M.D., Purdue
John F. Beering, Purdue
Ralph F. Braun Louisiana State
Frank A. Cave Texas
Scott J. Cleland, Ohio
Keith B. Chandler, Iowa State

Gerald C. Cook, Shippensburg
Robert K. Craig, Colorado
Robert M. Davis East Texas State
Brian S. Downs, Central Oklahoma
Brian R. Durst, Wisconsin
Randyl D. Elkin, Iowa State
James G. Gregory, Washington State
John F. Hoffner, Purdue

Acacia Fraternity Foundation 2022-2023 Annual Report

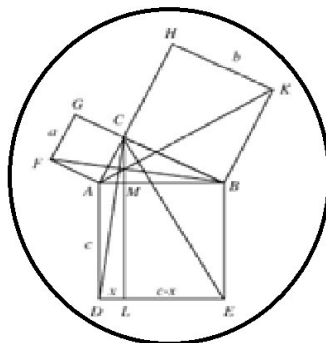
The Evergreen Society: continued

Paul E. Householder, Purdue
Scott James Houston, Indiana
Richard N. Howell, Indiana
Hilton A. Jones Jr., Washington State
Justin M. M. Kaplan, Carleton
Leonard W. Kearney, Oregon State
Daniel R. Lang, Northwestern
Darold W. Larson, Washington State
Dr. Donald D. Mattox, Nebraska
Amos D. Meyers Jr., Shippensburg
Jed W. Morris, Washington State
Michael J. Oakes, Indiana
John B. Pugh, Iowa State
George F. Rapp, Indiana
Robert E. Roberson, Illinois Wesleyan

Richard L. Routh, Indiana
Michael L. Rollins, Washington
Ernest W. Scheerer, Purdue
Larry E. Schroeder, Georgia
Graham Kirkland Simms, Texas
Michael C. Smith, Northwestern
Rollin J. Smith, Kansas State
Andrew James Stout Cal - Poly Pomona
David G. Symons, Carleton
Steve C. Tapas, Illinois
Dr. A. Robert Thayer, Purdue
William A. Utic, Cornell
John W. Wedgwood, Purdue
Eric V. Zwigart, California of Pennsylvania

Recognizing Our Most Generous Lifetime Donors

While our most generous Acacia alumni donors do not seek recognition, the Foundation board of directors believes these faithful contributors deserve to be recognized. Beginning at the 2018 Conclave in New Orleans, these donors were given a specially designed recognition pin that may be worn on the lapel at formal Acacia events. The pin is a round metal enameled pin bearing the following design:



Hypotenuse Club member pins will have one square filled in; Sons of the 47th member pins will have two squares filled in; and Semicircle of Pythagoras member pins will have all 3 squares filled in.

The Hypotenuse Club: At least \$5,000 in lifetime giving to the Foundation

Lawrence L. Andre, Kansas State
Robert L. Andring, Washington State
Miguel F. Aznar, California
John W. Baty, Iowa State
Brent B. Bayer, Kansas State
Gary E. Beachner, Kansas State
Aaron R. Beattie, Washington State
Scott A. Beckman, Washington
Wayne A. Beeder, New Hampshire
Dr. Brian C. Behrends, Oregon State
Thomas J. Boagni, Louisiana State
Roger B. Bowman, Oregon State
Roger D. Brannan, Kansas State
Philip G. Bright, Purdue
Neal E. Brown, Washington State

Charles H. Busch, Kansas State
Keith M. Bushey, Indiana
Charles E. Buxton, Oregon State
Stephen J. Casper, IV, Iowa State
James J. Chancellor, Louisiana State
Patrick M. Chittenden, Indiana
Kenneth A. Christenson, Washington State
R. Lee Christie, Illinois Wesleyan
J. Scott Cleland, Ohio
Neil R. Cole, Nebraska
Roger A. Crane, Louisiana
State Philip J. Crihfield, Purdue
John H. Danks, Iowa State
Jeremy N. Davis, Iowa State
Derek D. Dawes, Kansas State

Acacia Fraternity Foundation 2022-2023 Annual Report

The Hypotenuse Club: continued

Dustin S. Detzler, Indiana
William J. Dilcher, Iowa State
Matthew C. Dunning, Wisconsin
Dennis A. Dusek, Illinois
George H. Ebbs, Purdue
Dr. John R. Ebensberger, Iowa
Rick C. Elliott, Kansas State
James K. England, Iowa State
Thomas S. Everett, Indiana
Robert C. Fanning, Purdue
R. Gene Fickel, Illinois
David W. Flagg, Syracuse
Randolph S. Friedman, California
Frederick N. Fritsch, Oregon State
Bruce W. Froendt, Nebraska
H. Benjamin Funk, Kansas State
Matthew Gambardella, Rensselaer
Bruce F. Garnand, Kansas State
Patrick A. Gaughan, Illinois
Jerome Arnold Gordon, III, Indiana
James S. Grant, Washington State
F. Howard Halderman, Purdue
Robert L. Hampton, Kansas State
Donald K. Hanes, Illinois
LTC Hal D. Hanes, Indiana
Calvin J. Hansen, Nebraska
Curtis R. Hapgood, Kansas State
Paul C. Hermanson, Iowa State
William H. Hernstadt, Rensselaer
David And Kimberly Holmberg,
Dr. Brian E. Holub,
Maximilian J. B. Hopkins, California
Douglas R. Horth, Purdue
Donald R. Hoskins, Oregon State
Michael A. Howard, Oregon State
Robert D. Howlett, Iowa State
Robert L. Hurni, Ohio State
Blake J. Hutchison, Wisconsin
Justin M.M. Kaplan, Carleton
Clyde E. Kendziarski, Long Beach State
Philip H. Kohler,
Michael A. Koler, Ohio State
Donald E. Larson, Jr., Penn State
Paul A. Larson, M.D., Northwestern
Robert J. Lieblein, Shippensburg
Brant E. Lieske, Indiana
Andrew G. Long, Indiana
Morgan J. Lynge, Jr., Illinois
David L. Mari, Illinois
Tomislav A. Marincic, Michigan
Charles F. Martin, III, Purdue
Kevin T. May, Wisconsin
Stewart K. McCollum, Oregon State
Randall M. McCullough, Illinois Wesleyan

Patrick W. McGovern, Indiana
George A. McNiel, Washington State
Nathan C. Mentzer, Kansas State
Aaron L. Morrow, Iowa
James W. Moyers, Louisiana State
Thomas E. Mueller, Indiana
Roger A. Nealis, Indiana
Clay L. Niemeyer, Ohio State
Michael J. Oakes, Indiana
Carlos E. Odio, Purdue
Gordon D. Olson, Washington State
Gus D. Oppermann, V, Texas
Bradford K. Oxford, Washington State
Arman Paymai, California
Jeffrey D. Peace, Oregon State
Jeffrey L. Peil, Iowa State
Jeffrey D. Peotter, Illinois
David W. Powell, Indiana
Dr. Charles L. Pyne, Kansas State
Richard S. Rasmussen, California
Terry L. Resseguie, Kansas State
Dr. Charles E. Rockwood, Illinois
John A. Rosso, Arizona
Arthur P. Roy, JD, Iowa State
Jose R. Sanchez, Jr., UCLA
Wilbur G. Sandbulte, Iowa State
Alan B. Scher, Wisconsin
Thomas O. Schoellkopf, Indiana
Christopher U. Shadix, California
John E. Shrader, Iowa State
Kerry W. Skelton, Purdue
David W. Smith, Iowa State
Joe D. Smith, Oregon State
Timothy R. Stephenson, Oregon State
Stanley S. Tao, Indiana
Britt W. Thomas, Oregon State
Robert C. Trezise, Northern Colorado
Jerry L. Tuttle, Iowa State
Steven A. Verzwylt, Jr., Louisiana State
Curtis W. Voges, Illinois
Jarmila Vrana,
John P. Wagner, Purdue
Ernest W. Wakeham, Oregon State
Michael D Walker, Iowa State
Dale W. Weber, PhD, Iowa State
Michael S. Weber, Iowa State
Douglas R. Whitney, Iowa State
Max B. Whitney, Illinois
Jay W. Williams, Illinois Wesleyan
Knox Williams, UCLA
Donald S. Wilson, Northwestern
Neil H. Woodley, Iowa State
Mack E. Wootton, Indiana
Lance K. Yokota, California

The Sons of the 47th: At least \$10,000 in lifetime giving to the Foundation

George T. Abed, Oregon State
Warren L. Anderson, Washington State
Herbert M. Andrews, Penn State
John C. Barber, M.D., Purdue
Robert J. Barlow, Indiana
William K. Barnow, Kansas State

James D. Bassett, Kansas State
Aivars P. Berzins, USN, Iowa State
Dean R. Blanken, Colorado
Jeffrey T. Boaz, Illinois Wesleyan
Travis J. Bowie, Kansas State
Timothy L. Bray, Indiana

Acacia Fraternity Foundation 2022-2023 Annual Report

The Sons of the 47th: continued

Dr. Lanny R. Brent, Kansas State
Dr. Dwyte E. Brooks, Sr., Northwestern
Jack R. Burchfield, Central Oklahoma
Stewart L. Burger, Cornell
Richard A. Bush, Indiana
John P. Campbell, Iowa State
Christopher B. Carpentier, Indiana
Christopher J. Caywood, Michigan
Mark A. Christiansen, California
C. F. K. Cole, Texas
Albert S. Conly, Texas
Steven B. Cutshall, Purdue
Aaron P. Darcy, Indiana
Laury E. Decker, Iowa State
Brian R. Durst, Wisconsin
Dr. Randyl D. Elkin, Iowa State
Peter J. Eversole, Iowa State
David L. Ferguson, Indiana
Michael P. Fillman, Western Ontario
Larry B. Forsland, Minnesota
John R. Fralick, Kansas State
Alex I. Fraser, M.D., Iowa State
Richard T. Freije, Jr., Purdue
Russell E. Frew, Indiana
David A. Fruchey, Purdue
Fredrick C. Garrott, Illinois
Robert E. Garrow, Indiana
Rene A. Garza, Texas
Guy G. Gebhardt, Illinois Wesleyan
Ron Gebhardtshauer, Penn State
Dr. Donald L. Good, Iowa State
James B. Goritsan, Oregon State
Ronald G. Graver, Kansas State
Dr. Gene Greenlees, Texas
Gary J. Haag, Kansas State
John C. Haas, Kansas State
Steven K. Haines, Indiana
Gregory J. Hamer, Sr., Louisiana State
Thomas S. Hartman, Washington State
Warren S. Hawkins, Louisiana State
James E. Hayes, Purdue
Per Hilmo, Washington State
James M. Hoenscheidt, Kansas State
Destry W. Hood, Nebraska
Ronald T. Hopkins, Syracuse
Scott J. Houston, Indiana
Craig A. Hubbell, Washington
Larry L. Ihrig, Kansas State
Paul G. Ingram, Oregon State
George B. Jackson, Penn State
Andrew Jee, Oregon State
Glenn M. Johnson, Louisiana State
Lynn R. Johnson, Kansas State
Mark h. Johnson, Purdue
Jerome P. Jungels, Indiana
Jerrald T. Kabelin, Indiana
James N. Katsaounis, Ohio
Jay E. King, Indiana
Charles J. Kinzel, Oregon State
Darwin K. Klein, Kansas State
Edward S. Knight, Texas
Curtis A. Krizek, Kansas State
Darold W. Larson, Washington State
Philip C. Larson, Iowa State
David M. Lemke, Wisconsin
Laurence R. Letson, Nebraska
Anthony D. Little, Oregon State
Fred W. Loseke, Kansas State
Laurence A. Lowry, Iowa State
John M. Lundsten, Illinois
Kris R. Lutt, Nebraska
John T. Lynch, Iowa State
Dr. Donald G. Lyon, Iowa State
Woodrow W. Mann, Arkansas
George C. Mansfield, IV, Indiana
James M. McDonald, Iowa State
James L. McFarland, Wisconsin
Edward J. McGrath, Indiana
Martin T. McKnight, Oregon State
Byron J. Meade, Purdue
Arthur E. Mertes, Illinois
Scott H. Meyer, St. Cloud State
Amos D. Meyers, Jr., Shippensburg
Kelly D. Miller, Kansas State
Ronald A. Mitchell, Colorado
Jed W. Morris, Washington State
Robert R. Myers, Jr., Stephen F. Austin
W. Jeffrey Neal, Kansas State
Clifford D. Nelsen, Indiana
Dallas L. Nelson, PhD, Kansas State
Brock P. Nolan, Indiana
Dr. W. Edward Null, M.D., Kansas State
Joseph M. Orlesh, Jr., Louisiana State
Gary A. Patterson, Kansas State
John H. Peper, Texas
Terry L. Poling, MD, Kansas State
Tim E. Poling, D.D.S., Kansas State
William H. Purcell, Indiana
David R. Quick, Rensselaer
Hollis W. Rademacher, Minnesota
Richard C. Rayburn, Illinois
Frank E. Reeder, Shippensburg
Michael L. Rollins, Washington
Paul E. Ruby, Illinois
Charles W. Sartain, Louisiana State
Leon A. Scheffler, Kansas State
James D. Schlick, Iowa State
Khozema Z. Shipchandler, Indiana
Randolph K. Shoup, DDS, Indiana
Donald W. Solanas, Jr., Louisiana State
Arlo E. Sommers, Ohio State
George W. Sorrells, III, Indiana
Andrew J. Stout, Cal Poly-Pomona
Brian S. Strayer, Ohio State
William H. Strong, Purdue
Phillip S. Sutton, Ohio State
Robert J. Svatos, Illinois

Acacia Fraternity Foundation 2022-2023 Annual Report

The Sons of the 47th: continued

Byron A. Tabor, Iowa
Alan S. Tai, Washington State
Hiko Takeda, Iowa State
Steven L. Taylor, M.D., Kansas State
Terry L. Thoem, Iowa State
William M. Thornton, Ohio State
James I. Tims, Texas
Lowry L. Tims, Texas
Michael C. Tu, California
Kenneth A. Wagner, Illinois
L. David Waibel, Purdue
Robert E. Walberg, Illinois
Dean K. Wallace, Kansas State

Dr. William L. White, Kansas State
Daniel B. Williams, California
Bert T. Wion, Oklahoma State
Larry A. Wogahn, Iowa State
David E. Wolfe, Iowa State
Clay D. Woolfolk, Jr., Kansas State
James T. Wormley, Illinois
Warren R. Young, Purdue
Harold D. Zarr, Jr., Iowa State
David W. Zier, Oregon State
Howard S. Zwiefel, III, Cornell
Eric V. Zwigart, California of Pennsylvania

The Semicircle of Pythagoras: An exceptional lifetime contribution level

Phillip L. Baker, M.D., Iowa State
David S. Baum, Indiana
John F. Beering, Purdue
James H. Davis, Iowa State
David H. Fifield, Iowa State
Dr. David R. Fischell, Cornell
Edgar H. Grubb, Penn State
James M. Hanson, Iowa State
John F. Hoffner, Purdue
Leonard W. Kearney, Oregon State
Dr. John B. Lane, Vermont
Daniel R. Lang, Northwestern
G. Hank Nystrom, Iowa State
Joseph D. Patton, Jr., Penn State
Dr. George F. Rapp, Indiana

William M. Riley, Jr., Kansas State
Robert E. Roberson, Illinois Wesleyan
Stanley A. Roberts, Oregon State
Theodore H. Schnormeier, Iowa
Larry E. Schroeder, Georgia
Charles F. Switzer, Oregon State
Richard W. Taylor, Iowa State
Robert G. Travnicsek, MD, Kansas
Dewayne Edward Ullsperger, Nebraska
William A. Utic, Cornell
James David Weaver, Indiana
John W. Wedgwood, Purdue
Richard Ivan Williams, Grand Valley State
Harold D. Zarr, Jr., Iowa State

Honorary and Memorial Contributions

The Foundation received the following honorary and memorial contributions during the past year:

Oregon State - Richard S. Reid Scholarship

Leonard W. Kearney, Oregon State '59
Gregory A. Olsen, Oregon State '63
Michael A. Howard, Oregon State '64
Reginald R. Reisenbichler, Oregon State '70

Kansas State - Samuel G. Unger Memorial Scholarship

John H. Stretcher, Kansas State '51

Louisiana State - Charles L. Sartain, Jr. Memorial Scholarship

Terrance A. Ruona, Louisiana State '94

Capt. Duncan McPherson Memorial Scholarship

Christopher U. Shadix, California '81
Daniel B. Williams, California '80
Lance K. Yokota, California '80

Penn State - G. Kenneth Nelson Memorial Scholarship

Michael V. Pirrotta, Penn State '85
Christopher W. Soika, M.D., Penn State '75
William G. Sfida, Penn State '83
Kenneth J. Warner, Penn State '95

Dean C. Toda Memorial Scholarship

James L. McFarland, Wisconsin '91
Alan B. Scher, Wisconsin '96
Kevin T. May, Wisconsin '02
Blake J. Hutchison, Wisconsin '97
Michael B. McLean, Wisconsin '01
Kurt E. Johnson, Wisconsin '95
Darold W. Larson, Washington State '81
William C. Andrae, Wisconsin '98
Justin Baker, Friend of Acacia
Elizabeth K. Ameen, Friend of Acacia
Patrick A. Quinn, Friend of Acacia
Erika Osterberg, Friend of Acacia
Jordan Holtz, Friend of Acacia
Cynthia Ward, Friend of Acacia
Mary Hart, Friend of Acacia
Jean Markel, Friend of Acacia
Nicholas Veeder, Friend of Acacia
Amanda King, Friend of Acacia
Jody Bailey, Friend of Acacia
Carol Toda, Family of Dean C. Toda
Johnnie And Marilyn Smith, Friend of Acacia
Rita Harris, Friend of Acacia
John And Colleen Lubischer, Friend of Acacia

Acacia Fraternity Foundation 2022-2023 Annual Report

Purdue - Leonard E. Wood Chapter Advisor's Scholarship

George H. Ebbs, Purdue '61
Thomas E. Kaercher, Jr., Purdue '81
Dr. Gregory L. Crosby, Purdue '69
Brenda S. Miller, Friend of Acacia

Michael S. Hannes Memorial Scholarship

James L. McFarland, Wisconsin '91
Alan B. Scher, Wisconsin '96
Brent T. LaPointe, Wisconsin '97
Curtis R. Waltz, Wisconsin '87
David J. Engeldinger, Wisconsin '08

In Memory of Christ Drossos, Jr., Indiana '73

Rex A. Neal, II, Indiana '74
Jefferey A. Hilligoss, Indiana '82
John F. Hoffner, Purdue '66
James A. Palmer, Indiana '60
Mark E. Hackbarth, Indiana '71
Albert M. Donato, III, Indiana '90
Ronald E. Carter, Indiana '62
Michael S. Cole, Indiana '75
Richard Bella, Indiana '75
Daniel J. Rodgers, Indiana '93
Charles W. Jarrett, Jr., Indiana '71
Jay E. King, Indiana '76
John M. King, Indiana '81
Chase L. Duncan, Indiana '15
Thomas E. Mueller, Indiana '86
Gregg W. Jackson, Indiana '91
Scott G. Minnig, Indiana '95
James P. Clark, Indiana '74
Scott L. Timmons, Indiana '76
Scott A. Lakin, Indiana '77
Scott A. Lakin, Indiana '77
Darold W. Larson, Washington State '81
David P. Fogler, Indiana '73
LTC Hal D. Hanes, Indiana '63
Robert J. Barlow, Indiana '71
Ronald M. Finnigan, Indiana '72
David L. Ferguson, Indiana '74
John A. Duke, UCLA '79
Daniel A. Stinson, Indiana '72
Jeffrey T. Boaz, Illinois Wesleyan '89
Michael J. Oakes, Indiana '76
Francis E. Jagiella, III, Purdue '14
Phillip B. Stephens, Indiana '87
Robert And Amalia Kendall, Friends of Acacia
Constantine And Amy Paramantgis, Friends of Acacia

In Honor of Ruel E. Blackley, Oklahoma State '56

James E. Robinson, Oklahoma State '56

In Honor of Terry W. Smith, Illinois Wesleyan, '64

David G. Perkins, Illinois Wesleyan '64

In Honor of Austin C. Cleaves, Vermont '60

Neil H. Pelsue, Jr., Vermont '59

In Memory of G. Kenneth Nelson, Penn State '53

Gregory W. Sayler, Penn State '73

In Memory of Jerry W. Crossett, Iowa State '58

Gary L. Ruegsegger, Iowa State '61

In Memory of John P. Howe, Syracuse '64

Michael S. Dimenstein, Syracuse '71

In Honor of Dewayne E. Ullsperger, Nebraska '82

Darold W. Larson, Washington State '81

In Memory of Larry R. Clapper, Purdue '61

The Family of Larry R. Clapper

In Memory of Lester N. Liebel, Washington State '40

Darold W. Larson, Washington State '81

In Memory of Robert E. Burns, Trine '67

Paul D. Yoder, Trine '67

In Memory of Robert E. Jepson, Kansas State '53

Ms. Nancy Donnelly, Friends of Acacia

In Memory of Robert T. Franson, Cornell '59

The Family of Robert T. Franson

In Memory of Steven M. Bartz, Illinois '76

John A. Notardonato, Illinois '75

In Memory of Donald L. Bundy, Washington '68

Robert E. Hunt, Jr., Washington '65

In Memory of Eric R. Thornton, Syracuse '82

Scott E. Rasmussen, Syracuse '82

In Memory of Frank W. Scott, Jr., Washington '40

The Family of Frank William Scott, Jr.

In Memory of James G. Walbolt, Iowa '67

Greg M. Hilbert, Iowa '68

In Memory of Jerry G. Lear, Oregon State '59

The Family of Jerry G. Lear

In Memory of John H. Morrison, Jr., Michigan '63

The Family of John H. Morrison, Jr.

In Memory of Paul E. Householder, Purdue '58

Steve and Barb Lulay, Friends of Acacia
William And Rosemarie Wood, Friends of Acacia
Sherry Burnside, Friends of Acacia

In Honor of Gary L. Carrier, Vermont '61

Neil H. Pelsue, Jr., Vermont '59

In Memory of David J. Allen, Indiana '57

W. Jeffrey Neal, Kansas State '81

In Honor of Eric D. Ney, Ohio State '86

Thomas Charles Kipfer, Sr., Ohio State '86

Acacia Fraternity Foundation 2022-2023 Annual Report

Educational Grants

The Foundation awarded \$331,309 to Acacia Fraternity headquarters for the year. Foundation grants support Acacia Fraternity's Darold W. Larson Acacia Leadership Academies every summer, the Leonard W. Kearney Chapter Officer Summits during winter semester breaks, and Fraternity staff support to chapters and colonies. Foundation grants also support other educational programs provided by Acacia's headquarters staff, the Triad and Acacia's e-newsletters.

The Foundation also provided \$111,251 in educational grants to chapters. Grants awarded to chapters by the Foundation during the past year supported the following educational activities:

- GPA achievement awards and Scholarship Dinner (**Iowa**)
- Educational seminars, faculty speakers and community service projects (**Kansas State**)
- Internet and campus computer system connections, equipment, and monthly fees (**Cornell, Illinois State**)
- Renovation, maintenance, and operation of the qualified educational portion of chapter houses (**California, Nebraska, Purdue, St. Cloud State**)
- Chapter registration and travel expenses for attending the Darold Larson Leadership Academy and the Lee Kearney Officer Summit (**California, C.U.P., Illinois State, Iowa, Iowa State, Kansas State, Louisiana State, Ohio, St. Cloud State, Texas, Trine, Washington State, Wisconsin**)

Scholarship Awards

The Foundation awarded nearly 250 scholarships totaling \$107,512 during the fiscal year. Scholarship recipients were:

Acacia Fraternity Foundation Duncan McPherson Memorial Fraternityship

Caleb Fitch, Iowa \$3,000

Acacia Fraternity Foundation George F. Patterson Memorial Scholarship

Sam Yu, Ohio State \$3,000

Acacia Fraternity Foundation Larry E. Schroeder Scholarship

Brandon McClain, Iowa State \$1,000

Acacia Fraternity Foundation Scholarships

Manish Jagannath, California \$1000
 Sam Ward, Kansas State \$1000
 Cole Belcher, Iowa \$1000
 Blake Van Der Kamp, Iowa State \$1,000
 Rex Chapman-Shadik, Trine \$1000
 Eduardo Zavala, Illinois State \$1000
 Haoyang Chang, Cornell \$750
 Byung Kang, Cornell \$750
 William Salcedo, Cornell \$750
 Wesley Young, Penn State \$750

David J. Allen Memorial Scholarships

Phalen Tynes-MacDonald, Carleton \$1,000
 Braden Black, Kansas State \$1,000
 Jonathan Logan, Nebraska \$1,000
 Mason Merkel, Purdue \$1,000
 Sebastian Astran, Texas \$1000

Emma C. Allen Memorial Scholarships

Vincent Miller, Ohio State \$1,000
 Hari Malladi, Purdue \$1,000
 Clay Keiser, Indiana \$1,250

Ling Western Colonies and Chapters Scholarships

Lukas Chang, California \$1,000
 Michael Alexander, California \$1,000
 Zachary Kowash, Oregon State \$1,000
 Erich Weese, Nevada- Las Vegas \$1,000
 Colton Taylor, Arizona State \$1,000

Pay it Forward Fall 2022 Fund Scholarships

Sean Shepherd, Arizona State \$385
 Alex Gengler, Arizona State \$385
 Travis Craine, Arizona State \$385

Pay it Forward Spring 2023 Fund Scholarships

Dan Giordano, Arizona State \$385
 Cody White, Arizona State \$385
 Sean Shepherd, Arizona State \$385

California University of Pennsylvania (C.U.P.) Chapter Fund Scholarship

Brendan Pippert, California of Pennsylvania \$1,000

California University of Pennsylvania (C.U.P.) Housing Corporation Scholarship

Michael Schmel, California of Pennsylvania \$1,000

Illinois State Scholarships

Benjamin Stepe, Illinois State \$1,000

Iowa ASP Scholarships (Fall 2022)

Josh Wolf, Iowa \$138.92
 Andrew Corona, Iowa \$158.76
 Brendan Forrest, Iowa \$176.40
 Ryan Yuson, Iowa \$158.76
 Jacob Smith, Iowa \$202.85
 Zach Taylor, Iowa \$158.76
 Max Gonzalez, Iowa \$158.76
 Fabian Vega, Iowa \$145.53
 Robbie Kapacinskas, Iowa \$132.30
 Cole Garver, Iowa \$132.30

Acacia Fraternity Foundation 2022-2023 Annual Report

Iowa ASP Scholarships (Fall 2022), continued

Mason Mills, Iowa	\$138.92
Cole Belcher, Iowa	\$183.02
Nick Downey, Iowa	\$138.92
Tim Mumm, Iowa	\$111.13
Caleb Fitch, Iowa	\$149.94
Nong Press, Iowa	\$111.13
Hunter Utsler, Iowa	\$116.43
Michael Gomoluch, Iowa	\$105.84
Kayle Fairchild, Iowa	\$105.84
Sullivan Gregory, Iowa	\$127.01
Blake Arends, Iowa	\$171.11
Colin Pick, Iowa	\$105.84
Kevin Berg, Iowa	\$127.01
Corey Anderson, Iowa	\$127.01
Jack Moran, Iowa	\$171.11
Jake Tanquilut, Iowa	\$105.84
Marco Guadiana, Iowa	\$127.01
Shawn Hiramatsu, Iowa	\$105.84
Emiliano Paz, Iowa	\$88.20
Keegan Nagle, Iowa	\$88.20
Jake Dagsys, Iowa	\$88.20
Hayden Witmer, Iowa	\$105.84
Brandon Coble, Iowa	\$105.84
Joseph Laera, Iowa	\$88.20
Jarod Moeller, Iowa	\$88.20
Eddie Vega, Iowa	\$77.62
Travis Thomas, Iowa	\$114.66
Santiago Munoz, Iowa	\$74.09
Jack McIntyre, Iowa	\$70.56
Richard Dinh, Iowa	\$70.56
Brandon Kane, Iowa	\$57.33
Caleb Jedlicka, Iowa	\$68.80
Weston Mcmann, Iowa	\$101.43
Nate Fritz, Iowa	\$44.10
Tom Dibrizzi, Iowa	\$44.10
John Vandervort, Iowa	\$46.31
Alex Guzman, Iowa	\$48.51
Shane Arnold, Iowa	\$44.10
Cody Hotman, Iowa	\$88.20
Brayan Rivera, Iowa	\$44.10
Alex Epstein, Iowa	\$44.10
Chase Wuebker, Iowa	\$44.10
Jack Ossenkop, Iowa	\$44.10
Tristyn OConner, Iowa	\$44.10
Daniel Fitch, Iowa	\$44.10

Iowa ASP Scholarships (Spring 2023)

Santiago Munoz, Iowa	\$169.77
Josh Wolf, Iowa	\$147.62
Blake Arends, Iowa	\$169.77
Nick Downey, Iowa	\$132.86
Caleb Fitch, Iowa	\$147.62
Brendan Forrest, Iowa	\$147.62
Corey Anderson, Iowa	\$106.29
Mason Mills, Iowa	\$134.34
Cole Belcher, Iowa	\$125.48
Nong Press, Iowa	\$129.91
Jake Tanquilut, Iowa	\$125.48
Emiliano Paz, Iowa	\$93.00
Sullivan Gregory, Iowa	\$143.20
Shawn Hiramatsu, Iowa	\$97.43
Andrew Corona, Iowa	\$93.00
Jon Teitelbaum, Iowa	\$88.57
Richard Dinh, Iowa	\$169.77
Ryan Yuson, Iowa	\$125.48
Fabian Vega, Iowa	\$125.48

Brendan Rodatz, Iowa	\$88.57
Tim Mumm, Iowa	\$88.57
Michael Gomoluch, Iowa	\$125.48
Keegan Nagle, Iowa	\$125.48
Weston Mcmann, Iowa	\$88.57
Max Gonzalez, Iowa	\$125.48
Kayle Fairchild, Iowa	\$125.48

Iowa ASP Scholarships (Spring 2023)

Ben Price, Iowa	\$73.81
Cody Hotman, Iowa	\$118.10
Marco Guadiana, Iowa	\$88.57
Shane Arnold, Iowa	\$110.72
Joseph Laera, Iowa	\$95.96
Hunter Utsler, Iowa	\$95.96
Travis Thomas, Iowa	\$95.96
Eddie Vega, Iowa	\$101.86
Jake Dagsys, Iowa	\$47.98
Nate Fritz, Iowa	\$47.98
Kevin Berg, Iowa	\$57.57
Alex Guzman, Iowa	\$57.57
Jarod Moeller, Iowa	\$47.98
John Vandervort, Iowa	\$38.75
Jacob Smith, Iowa	\$73.81
Alex Epstein, Iowa	\$36.91
Jack Ossenkop, Iowa	\$36.91
Jack Moran, Iowa	\$36.91
Daniel Fitch, Iowa	\$36.91
Brandon Coble, Iowa	\$36.91
Caleb Jedlicka, Iowa	\$36.91
Zach Taylor, Iowa	\$47.98

Iowa State – Edwin Drdla Educational Fund Scholarships (Spring 2023)

Alek Gruber, Iowa State	\$2653.75
Cole Chittenden, Iowa State	\$2000
Hunter Jennings, Iowa State	\$2000

Iowa State – Harold Zarr Educational Endowment Scholarships (Fall 2022)

Logan Carpenter, Iowa State	\$200
Ashton Corpuz, Iowa State	\$200
Jonathan Kelly, Iowa State	\$200
Hogan Lee, Iowa State	\$200
Nicholas Benjamin, Iowa State	\$500
Nathaniel Bennet, Iowa State	\$500
Nathaniel Harter, Iowa State	\$500
Ian Louis, Iowa State	\$500
Brandon McClain, Iowa State	\$500
Ethan Richards, Iowa State	\$1000
Charles Teggatz, Iowa State	\$500
Blake Van Der Kamp, Iowa State	\$1000

Iowa State – Harold Zarr Educational Endowment Scholarships (Spring 2023)

Ethan Richards, Iowa State	\$200
Levi Frazier, Iowa State	\$200
Jacob Aberle, Iowa State	\$200
Graysen Hunter, Iowa State	\$200
Hunter Jennings, Iowa State	\$200
Matthew Bennett, Iowa State	\$200
Matthew Roth, Iowa State	\$200
Charles Teggatz, Iowa State	\$500
Zachary Sailor, Iowa State	\$500
Ian Louis, Iowa State	\$500
Blake Van Der Kamp, Iowa State	\$500
Nathaniel Bennet, Iowa State	\$500
Alek Gruber, Iowa State	\$500
Brandon McClain, Iowa State	\$500
William Sibilski, Iowa State	\$500

Acacia Fraternity Foundation 2022-2023 Annual Report

St. Cloud State Charles Joriman Scholarship

Tanner Armstrong, St. Cloud State	\$1000
Nicholas Schlichting, St. Cloud State	\$750

Nebraska L Ronald Letson Scholarship

Jeremiah Booth, Nebraska	\$1000
Zach Robeson, Nebraska	\$500
Damien Rodriguez, Nebraska	\$500

Oregon State Richard S. Reid Scholarships Fall 2022

Marcello Cardona, Oregon State	\$1000
Allen Bernard, Oregon State	\$1000
Matthew Little, Oregon State	\$1000
George Krecklow, Oregon State	\$1000
Walker Lierman, Oregon State	\$1000
Ashton Schrage, Oregon State	\$1000
Caden Verzino, Oregon State	\$1000
Bryce Campbell, Oregon State	\$1000
George Krecklow, Oregon State	\$1000
Walker Lierman, Oregon State	\$1000
Zachary Kowash, Oregon State	\$1000
Ethan Loy, Oregon State	\$1000
Kyle Clancy, Oregon State	\$1000
George Krecklow, Oregon State	\$1000
Brandon Pomeroy, Oregon State	\$1000

Oregon State Richard S. Reid Scholarships Spring 2023

Micah Watanabe, Oregon State	\$1000
Ian Hansen, Oregon State	\$1000
George Krecklow, Oregon State	\$1000
Nicholas Leinberger, Oregon State	\$1000
Zachary Kowash	\$1000

Purdue Leonard E. Wood Chapter Advisor's Scholarships Fall 2022

Angel Price, Purdue	\$500
Garrett Rogers, Purdue	\$250
Jared Young, Purdue	\$250
Brien Nash, Purdue	\$250
Jared Young, Purdue	\$250

Purdue Leonard E. Wood Chapter Advisor's Scholarships Spring 2023

Andrew Askounis, Purdue	\$250
Angel Price, Purdue	\$250
Jared Young, Purdue	\$250
Yuan Chang, Purdue	\$250
Brien Nash, Purdue	\$250
Garrett Rodgers, Purdue	\$250
Garrett Price, Purdue	\$250
Samuel Taylor, Purdue	\$250
Praval Kollipara, Purdue	\$250

Penn State Glenn C. Ream Memorial Scholarships

Prince Gabriel, Penn State	
----------------------------	--

Texas General Scholarships

Justin Yao-Chu, Texas	\$500
Sahaj Bhakta	\$500
Leviticus Gay	\$500
Erik Gonzalez	\$500

Washington State Lester N. Liebel Cornerstones Endowment

Hunter Schueller, Washington State	\$1000
------------------------------------	--------

Washington State Scholarships

John Boynton, Washington State	\$1000
Levi Chapman, Washington State	\$1000
Benjamin Anderson, Washington State	\$1000
Brandon Fields, Washington State	\$1000
Tony Pham, Washington State	\$1000
Liam Wilson, Washington State	\$1000
Ethan Hackman, Washington State	\$1000
Blake Schmidt, Washington State	\$1000
Owen Murray, Washington State	\$1000
Bergen Till, Washington State	\$1000
Hunter Schueller, Washington State	\$1000
Evan Sigmon, Washington State	\$1000
Matthew Schaal, Washington State	\$1000

Wisconsin Michael S. Hannes Memorial Scholarships

Aarush Jain, Wisconsin	\$500
Thomas Derleth, Wisconsin	\$500
Auden Culver, Wisconsin	\$500

Chapter Accounts

The Foundation has established an account for every chapter and colony. Many chapters have established additional accounts for special purposes such as building funds and named scholarships. Please refer to the attached financial statement for a complete list of chapter accounts.

Chapter accounts can be used to support qualified educational activities, including:

- Cornerstones, Acacia's undergraduate member development program
- Chapter scholarships and membership recruitment scholarships
- Leadership and other member achievement awards
- Educational seminars, faculty speakers and community service projects
- Chapter library materials, including furniture and computers
- Internet and campus computer system connections, equipment, and monthly fees
- Study programs including rental of on-campus study rooms
- Renovation, maintenance, and operation of the qualified educational portion of chapter houses
- Expenses for attending the Acacia Leadership Academy and Officer Leadership Summit

Acacia Fraternity Foundation 2022-2023 Annual Report

The Foundation credits investment earnings to chapter accounts that maintain balances of \$1,000 or more.

Endowments

Foundation endowments provide an opportunity for donors to make a lasting contribution to Acacia's future. Donors may make gifts of any size to any of the following Foundation endowments.

- Acacia Fraternity Endowment - Contributions to this endowment provide a permanent source of funding for Acacia Fraternity headquarters.
- Chapter Support Endowment - Contributions to this endowment provide a permanent source of funding for chapter development. (Examples include Acacia Fraternity staff and travel expenses for extended on-site support, funding for at-risk chapters and scholarship recruitment programs.)
- Communications Endowment - Contributions to this endowment provide a permanent source of funding to increase the effectiveness of Acacia's undergraduate and alumni communications. (Examples include the Triad, Crest, e-newsletters, chapter publications, social media and alumni gatherings.)
- Darold W. Larson Leadership Programs Endowment - Contributions to this endowment provide a permanent source of funding for Acacia Fraternity's leadership development programs. (Examples include Cornerstones, the annual Darold W. Larson Leadership Academy and Lee Kearney Leadership Summit, chapter officer and alumni leadership gatherings and development of alumni leaders.)
- Foundation Future Endowment - Contributions to this endowment provide a permanent source of funding to sustain Foundation growth.
- Foundation Scholarship Endowment - Contributions to this endowment provide a permanent source of funding for growth in the number and amount of annual Foundation scholarship awards.
- Internship Endowment - Contributions to this endowment provide a permanent source of funding to advance Acacia Fraternity by engaging exceptional undergraduates as interns, developing their personal growth through management experience and other professional opportunities as temporary staff members of the Fraternity or Foundation.

Donors may also establish a named Foundation endowment with an initial contribution of \$25,000 or more. The Foundation's donor-established endowments are:

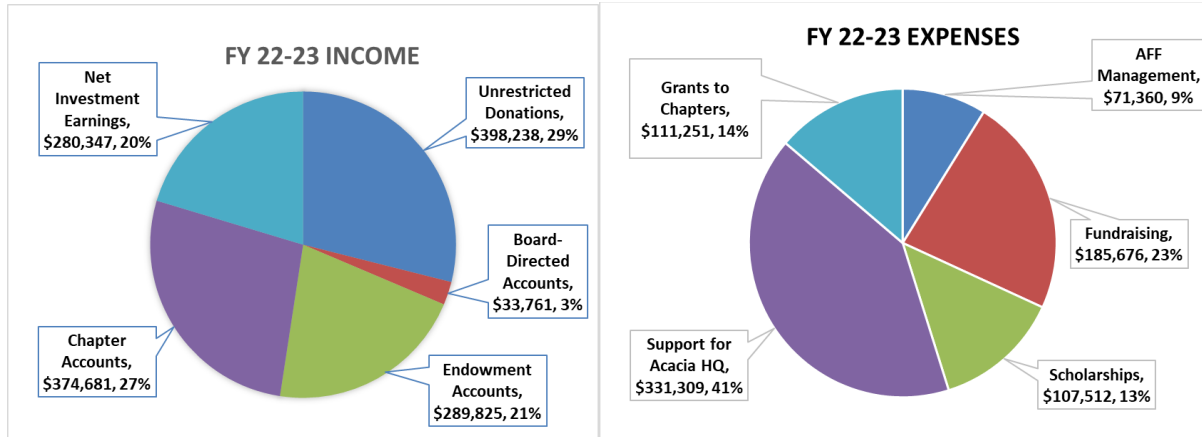
- Irving J. Field Memorial Conclave Scholarship Luncheon Speakers Endowment
- John F. Hoffner Leadership Academy Speakers Endowment
- George Woolsey Memorial California Chapter Scholarship Endowment
- Emma C. Allen Memorial Indiana Chapter Scholarship Endowment
- David J. Allen Memorial Scholarship Endowment
- Harold Zarr Iowa State Educational Endowment
- Bill and Erma Riley Kansas State Leadership Endowment
- Dr. Stan and Ann Tao Graduate Study Scholarship Endowment
- Lester N. Liebel Memorial Washington State Cornerstones Endowment
- Dean C. Toda Memorial Wisconsin Scholarship Endowment

Foundation Fiscal Year Financial Report

The Foundation's summary financial statement for the fiscal year ending June 30, 2023, is attached at the end of this annual report.

Foundation income and expenses for the fiscal year were:

Acacia Fraternity Foundation 2022-2023 Annual Report



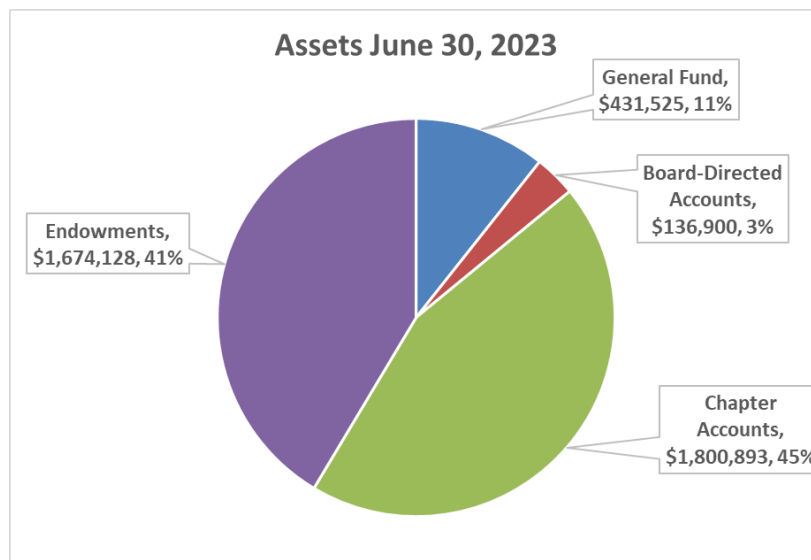
Foundation Assets

The Foundation’s assets are professionally managed by the Indianapolis office of UBS, the world's largest wealth manager. The UBS Indianapolis office specializes in managing investments for national fraternity and sorority foundations. The Foundation’s Investment Committee monitors the work of our UBS asset managers. The Foundation has two investment funds at UBS, a conservative fund and a managed fund. Either option may be selected for each chapter account or donor-established endowment account.

The conservative option is designed to safeguard the principal balance of the account. It consists of FDIC-insured savings and money market funds. Investment earnings are generally modest in line with short-term bond yields. This option is a prudent choice for accounts being used to fund a current project or commitment. Accounts with balances of \$1,000 or more in the UBS conservative fund were credited with earnings of **3.5%** over the fiscal year.

The managed option provides an opportunity for significantly higher investment earnings over time; however, this option may lose value during investment market downturns. This investment option uses a mix of fixed-income and equity investments and is a prudent choice for endowments and accounts where long-term growth is desired. Most chapter accounts, endowment accounts, and the Foundation’s General Fund are invested in the UBS-managed fund. Accounts with balances of \$1,000 or more were credited with earnings of **9.1%** over the fiscal year.

In addition to our UBS accounts, the Foundation maintains checking and savings accounts for everyday operations at Chase Bank. Foundation assets on June 30, 2023, were **\$4,043,445**, an increase of \$400,452 compared to June 30, 2022.



Acacia Fraternity Foundation 2022-2023 Annual Report

IRS Information and Compliance

The Foundation is a qualified tax-exempt organization under Section 501(c)(3) of the Internal Revenue Code. The Foundation's Federal Tax ID is 35-1778332. Contributions are tax-deductible to the full extent provided by law. The Foundation supports Fraternity's leadership training, educational endeavors and educational portions of fraternity house structures and scholarships to deserving student Acacians.

All Foundation expenditures, scholarship awards, and educational grants are carefully reviewed and documented in compliance with IRS rulings and guidance to ensure the continued federal tax-deductibility of donations to the Foundation. The Foundation was established on August 18, 1989, under the laws of the State of Indiana.

Membership

The membership of the Foundation is comprised of all active, alumni and honorary members in good standing with Acacia Fraternity who contribute to the Foundation during the twelve months between Annual Meetings. At the end of the 2022-2023 fiscal year the Foundation had **1,064** members.

Board of Directors

The members elect representatives at each Annual Meeting to the Foundation's Board of Directors, which oversees the affairs of the Foundation. The Board of Directors is presently composed of 26 voting directors and 7 non-voting emeritus directors representing 24 different Acacia chapters. The Foundation welcomes inquiries and suggestions from alumni, young and old, interested in serving on the board of directors.

Current member of the Board of Directors being nominated for an additional three-year term on the board, to be voted on at the 2023 Annual Meeting:

- **Gerald C. Cook, Shippensburg '66** - Order of Pythagoras, Award of Merit, and George F. Patterson, Jr. Award, Donald W. Solanas, Jr. Lifetime Service to Acacia Award; President Foundation Board of Directors 1994-1998; International Council President 1998-2002; Past Southern Region Director of Planned Parenthood Federation of America. Lead Public Health Advisor (retired) for the Centers for Disease Control and Prevention (CDC) Atlanta, GA. Resides in Roswell, GA.
- **Michael P. Fillman, Western Ontario '85** - Michael Fillman is a founding member of the University of Western Ontario chapter and served as its first elected Venerable Dean. He has been awarded the Order of Pythagoras and the Award of Merit and was Treasurer on the International Council from 1990-1998. Michael is a technology industry veteran specializing in corporate development, advising some of the world's largest software companies on acquisitions and mergers. He is retired and currently sits on the Board of Advisors for several software companies and non-profit organizations. He resides in Newport Beach, CA.
- **David L. Ferguson, Indiana '74** – Order of Pythagoras, Award of Merit, Metz Scholar, Beta Gamma Sigma, Indiana Law '81. Lawyer for governmental entities as well as clients in commercial disputes. Served on the County Library Board for 26 years and counting, the County Parks Board for 15 years and currently the Chamber of Commerce Board. Completed historic renovations of several buildings in downtown Bloomington, his hometown, with his cousin John Seeber, Indiana '75. Resides in Bloomington, IN.
- **David R. Quick, Rensselaer Polytechnic '93** – Order of Pythagoras, Award of Merit. Past Director Ascentium and Development Manager CommerceServer.net/SiteCore; Co-founder Renasar Technologies Inc.; Currently a board member at Kingswood-Oxford School (West Hartford, CT) and Development Manager for Oracle. Resides in Atlanta, GA
- **Byron A. Tabor, Iowa '78** - Order of Pythagoras, Award of Merit. Iowa Chapter Advisor; Corporation Board member 2001-2015; Kiwanis member served as Lt. Governor six times. Current Commissioner of the Kiwanis Miracle League at Prospect Meadows. Retired computer programmer for the derivatives team in the Investments Division of AEGON Asset Management. Resides in Cedar Rapids, IA.
- **Michael C. Tu, California '91**- Order of Pythagoras, Award of Merit. Attorney and Partner at Cooley LLP, where he specializes in securities litigation and enforcement at the Los Angeles office; resides in La Canada Flintridge, CA
- **Richard I. Williams, Grand Valley State '00** - Order of Pythagoras, Award of Merit. Foundation Board of Directors since 2018. Attorney and Consultant; Resides in Grand Rapids, MI.

Acacia Fraternity Foundation 2022-2023 Annual Report

Members being added to the Board of Directors being nominated for a three-year term on the board, to be voted on at the 2023 Annual Meeting:

- **Brian Kearney, Iowa '16** - Brian Kearney is a founding member of the University of Iowa Resh chapter and served as Junior Dean, Recruitment Chair, and Philanthropy Chair during his time at Iowa. He has been awarded the Order of Pythagoras, volunteered as Treasurer for the Iowa Corporation Board, and served as Expansion Coordinator for Acacia UNC-Chapel Hill. Brian is also an active member of the Eastern Iowa Acacia Alumni Association. Brian currently works in investment banking and resides in Chicago.

Continuing their elected terms on the Board of Directors:

- **Dwyte E. Brooks, Northwestern '69** – Order of Pythagoras. DMD, FAGD, FADL. American Dental Association delegate (retired), Council on Ethics, Bylaws and Judicial Affairs; ADA Standing Committee on Constitution and Bylaws; Clinical Faculty, UNLV School of Dental Medicine; President of the board for Helping Kids Clinic charity. Helped to distribute and give COVID vaccines across the state of Nevada. Resides in Las Vegas, NV.
- **John Clifton Davis, New Hampshire '82** - Order of Pythagoras. Re-Founding Father, New Hampshire Chapter, two term Jr. Dean, Past President New Hampshire Housing Corp Board. John brings to the Foundation Board, an extensive background in Alumni Affairs and Fundraising. Serving several Universities and Colleges as Director of Advancement and Alumni Relations or in a Vice Chancellor role. Currently, John is the Associate Vice President for College Advancement for Saint Anselm College, Manchester, NH. Resides in Bedford, NH.
- **Brian R. Durst, Wisconsin '87** - Order of Pythagoras, Award of Merit, Re-founding Father, Wisconsin Chapter. HCB President Wisconsin; Foundation Board of Directors 2014-Present. District Sales Manager, American Family Insurance; resides in Woodstock (Atlanta), GA.
- **Guy G. Gebhardt, Illinois Wesleyan '66** - Order of Pythagoras, Award of Merit; Secretary, Foundation Board of Directors since 2019. Trustee, Georgia Rotary Student Program. Retired from the United States Department of Justice, Office of the United States Trustee. Resides in Marietta, GA.
- **Andrew Jee, Oregon State '87** - Order of Pythagoras, Award of Merit. Past Leadership Consultant on Acacia International Staff. Foundation Board of Directors 2010-Present. Chair of the Scholarship Committee. Attorney with Jee Law, PLLC; resides in Dallas, TX.
- **Kris R. Lutt, Nebraska '90** - Order of Pythagoras, Award of Merit. Venerable Dean Nebraska 1991-1992; International Undergraduate Councilor 1992-1994. President-Sweeteners, Starches and Acidulants, Archer Daniels Midland Inc.; resides in Decatur, IL
- **Amos Meyers, Shippensburg '66** - Order of Pythagoras, Award of Merit, George F. Patterson, Jr. Award. Immediate Past President Foundation Board of Directors. Elementary teacher and administrator (retired); resides in Oro Valley, AZ
- **Marcus W. Mountford, Kansas State '91** - Order of Pythagoras. Kansas State chapter Treasurer, Intramural Chair, and Pledge Class President. Founder and first President of the Arizona State Chapter Housing Corporation. Operations and Governance leader for WTW specializing in Benefits Administration and Outsourcing Solutions. Resides in Bloomington, IL
- **Robert E. Roberson, Illinois Wesleyan '74** - Order of Pythagoras, Award of Merit, George F. Patterson, Jr. Award. Alumni President Illinois Wesleyan; Acacia Fraternity Foundation Board of Directors 1998-2001; International Council Treasurer 2001-2009; International Council President 2009-2014; Serving on Foundation Board of Directors since 2015. Retired compliance examiner for the Federal Deposit Insurance Corporation; resides in Richview, IL
- **Michael L. Rollins, Washington '87** - Order of Pythagoras, Award of Merit. Manager Global Clients - A.P. Moller - Maersk. Resides in Grayslake, IL
- **Larry E. Schroeder, Georgia '77** - Order of Pythagoras, Award of Merit, and George F. Patterson, Jr. Award. Member of the Foundation Board of Directors since 1996; Past Foundation Treasurer; Worked for McDonnell Douglas Automation as a programmer, General Dynamics as a Senior programmer, IBM as a software engineer and now for Unicom, SI in software support. Resides in Cary, NC.
- **Phil Sutton, Ohio State '88** - Order of Pythagoras. Rush Chairman, Senior Dean, and Venerable Dean, and Rush Coordinator and then President of the Interfraternity Council. Previously, member of the Ohio State Association Board. Retired from Marathon Petroleum Company. Resides in Columbus, OH.

Acacia Fraternity Foundation 2022-2023 Annual Report

- **Robert G. Travnicsek, M.D., Kansas '59** - Order of Pythagoras, Award of Merit, George F. Patterson, Jr. Award. Joined the U.S. Public Health Service in 1966; Private Practice of Medicine Wilber Nebraska 1968-1989; Harvard School of Public Health 1989-90; District Health Officer Mississippi State Department of Health 1990-2013; Felix Underwood Award; Donald Evans Sutter Award; Physician Service Award; retired July 2013. Resides in Long Beach, MS.
- **William A. Utic, Cornell '74**, - Retired corporate real estate manager for Pacific Gas and Electric Company. He is a licensed Professional Engineer and holds additional designations from the American Institute of Certified Planners, the Building Owners and Managers Institute, and the Commercial Investment Management Institute. Bill has been a director of the AFF since 1990 and served as president from 1998-2010. Recipient of the Order of Pythagoras, Award of Merit, George F. Patterson, Jr. Award, and Donald W. Solanas, Jr. Lifetime Service to Acacia Award. He is a past president of the California Chapter house corporation. Resides in Fremont, CA.
- **Dewayne Ullsperger, Nebraska '82**- Venerable Dean Nebraska Chapter 1984-1985; recipient of the Roy C. Clark Award, Order of Pythagoras, Award of Merit, and George F. Patterson, Jr. Award. Vice President and Actuary, UnitedHealth Group; resides in Minnetonka, MN

Emeritus Directors

- **John C. Barber, M.D. Purdue '58**- Order of Pythagoras, Award of Merit. Emeritus Director 2017-Present. Ophthalmologist (retired); resides in Pittsburgh, PA
- **John F. Beering, Purdue '88**- Order of Pythagoras, Award of Merit. HCB President Purdue 1994-1996. Emeritus Director
- **Ronald T. Hopkins, Syracuse '69**- Order of Pythagoras, Award of Merit, George F. Patterson, Jr. Award. National Council Treasurer 1985-1988; Venerable Dean Syracuse Chapter 1971-1972. Past Syracuse Chapter Advisor. Past Syracuse Chapter Financial Advisor. Past Syracuse Chapter House Corporation President. Current Syracuse Chapter House Corporation Treasurer. Co.International Council Treasurer 1988-1990; Foundation Board of Directors 2000-2010; Foundation Board of Directors 2012-Present. President, Retired George O. Miller Co.; resides in Fayetteville, NY
- **James N. Katsaounis, Ohio '95**- Order of Pythagoras, Award of Merit. Director of Communications Acacia International Staff. HCB President Ohio. Foundation Board of Directors Secretary 2011-Present. Past director of public relations, Grand Lodge Free & Accepted Masons of Pennsylvania. Update requested.
- **John B. Lane, Vermont '57**- Order of Pythagoras, Award of Merit. Emeritus Director 2017-Present. Professor of mathematics and computer science (retired); resides in Cambridge Springs, PA
- **William M. (Bill) Riley, Jr., Kansas State '60**- Order of Pythagoras, Award of Merit, George F. Patterson, Jr. Award. HCB President Kansas State 2002-2006. Foundation Board of Directors 2006-2011, President Acacia Fraternity Foundation Board of Directors 2011-2013, Vice-President Acacia Fraternity Foundation Board of Directors 2015-2017. Current Acacia Fraternity Foundation Board of Directors Fund Development Committee. Retired president/owner of retail business in Kansas and Colorado, Past Chairman of the National Trustee Council of the Nature Conservancy, currently board member of Argentina and Kansas TNC Chapters, Past President of the Kansas 4-H Foundation and board member, chair, of several Kansas nonprofits, current board member, chair of consultant to four private foundations and author of guide book for nonprofit executives. Resides in Manhattan, Kansas.
- **John W. (Jack) Wedgwood, Purdue '60**- Order of Pythagoras, Award of Merit. Emeritus Director 2017-Present. Investment manager, DWR Wealth Management; resides in San Jose, CA

Retiring from the Board of Directors at the 2023 Annual Meeting:

- **Dale E. Redman Louisiana State '67** - Order of Pythagoras. As an undergraduate he served as Rush Chairman and Venerable Dean. He received a B.S. in 1970 and M.S. in 1972 from LSU. After graduation, he served for several years on the LSU Chapter House Corporation and in 2006 received the LSU Greek Excellence Award for Acacia. In 2015, he was inducted into the LSU Ourso College of Business Hall of Distinction. His business career started as a CPA in public accounting with Ernst & Ernst. He subsequently served as the Chief Financial Officer for several public companies, was an officer in the Army National Guard from 1970 to 1979, and taught Corporate Finance at LSU from 1999 to 2007. He retired in 2015. Resides in Baton Rouge, LA on LSU Avenue!

Acacia Fraternity Foundation 2022-2023 Annual Report

- **Joshua A. Satterfield, Purdue '19** - Order of Pythagoras, Purdue 2023 Graduate in Marketing with a concentration in Data Analytics with a minor in Economics. Resides in Broad Ripple, IN.

Annual Meetings

The Foundation's 2023 Annual Meeting was held Saturday, August 5, 2023, at the Foundation office in Carmel, IN. The minutes of the 2023 Annual Meeting are attached to this report.

Contact Information:

The Foundation's offices are co-located with Acacia Fraternity headquarters at 12721 Meeting House Road, Carmel, IN 46032. The Foundation can be contacted at this address, by calling 317-872-8210 or by E-mail to: dlarson@acacia.org.

Conclusion

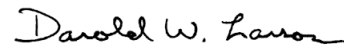
On behalf of the Board of Directors, thank you for your support of Acacia Fraternity through the Acacia Fraternity Foundation. A copy of the Foundation's 2022-2023 summary financial statement is included as an attachment to this report.

We invite you to renew your support to Acacia with a generous donation to the Exceptional (Annual) Fund this fall and to include the Foundation in your estate planning. You can show your continuing support by visiting acacia.org/donate and give your gift to the Black and Gold.

Fraternally,



Kris R. Lutt, Nebraska, '90
President, Acacia Fraternity Foundation



Darold W. Larson, Washington State '81
Executive Director

Minutes of Acacia Fraternity Foundation, Inc. Annual Meeting

August 6, 2022

Atlanta, Georgia

Foundation President Kris Lutt called the Annual Meeting of the Acacia Fraternity Foundation, Inc. (“AFF” or the “Foundation”) to order at 1:02 p.m., EDT, August 6, 2022.

1. Roll

Brother Gebhardt called the roll. The following members attended the meeting:

Brothers Jeff Boaz (Illinois Wesleyan), Dwyte Brooks (Northwestern), Gerald Cook (Shippensburg), John Davis (New Hampshire), Brian Durst (Wisconsin), Dave Ferguson (Indiana), Mike Fillman (Western Ontario), Guy Gebhardt (Illinois Wesleyan), Andrew Jee (Oregon State), Darold Larson (Washington State), Kris Lutt (Nebraska), Amos Meyers (Shippensburg), Marcus Mountford (Kansas State), David Quick (Rensselaer), Dale Redman (Louisiana State), Rob Roberson (Illinois Wesleyan), Joshua Satterfield (Purdue), Larry Schroeder (Georgia), Don Solanas (Louisiana State), Phil Sutton (Ohio State), Byron Tabor (Iowa), Dewey Ullsperger (Nebraska), Bill Utic (Cornell), and Rick Williams (Grand Valley State).

2. Quorum

Brother Gebhardt reported there are 350 proxies in hand, of which 212 are valid. As more than ten percent of members are attending in person or by proxy, a quorum has been established.

3. Approval of Minutes

Brother Schroeder moved to approve the minutes of the July 31, 2021 Annual Meeting and Brother Meyers seconded the motion. The motion passed unanimously.

4. Election of Directors

Brother Durst presented the nominations for directors to serve a three-year term and one nomination for a director to serve a four-year term. The motion passed unanimously. The following directors were elected for a three-year term: Brothers John Davis (New Hampshire); Brian Durst (Wisconsin); Andrew Jee (Oregon State); Marcus Mountford (Kansas State); Rob Roberson (Illinois Wesleyan); Robert Travnicek (Kansas/Northwestern); and Bill Utic (Cornell). Brother Larry Schroeder (Georgia) was elected to serve a four-year term.

5. Annual Report

Brother Larson presented the Annual Report. Brother Ferguson moved to accept the Annual Report and Brother Schroeder seconded the motion. The motion passed unanimously.

6. Adjournment

There being no new business to come before the Annual Meeting of the Foundation, Brother Ferguson moved to adjourn the meeting and Brother Durst seconded the motion. The motion passed unanimously and the meeting adjourned at 1:11 p.m.

Respectfully submitted,

Guy G. Gebhardt

Secretary

Acacia Fraternity Foundation
Sources and Uses of Funds (unaudited)
Fiscal Year 2022-2023
July 1, 2022 - June 30, 2023

EXPENDITURES

Management and General:

Accounting Fees	\$2,144
Bank Charges	\$4,093
Bookkeeping, Data Entry and Donor Records Support	\$15,000
Foundation Staff	\$23,299
Information Technology	\$707
Investment Management Fees	\$20,577
Liability Insurance	\$2,911
Legal Fees	\$0
Misc. Office Expenses (copy, phone, mail)	\$829
Foundation for Fraternal Excellence Membership	\$1,500
Meeting Expenses including Teleconferences	\$300
Subtotal Management and General Expenditures	\$71,360

Fundraising:

Donor Development Activities	\$42,439
Fundraising Program Development	\$0
Chapter Alumni Dues Program (reimbursible)	\$454
Foundation Staff	\$93,195
Information Technology	\$1,650
Misc. Office Expenses (copy, phone, mail)	\$829
Office Postage Machine	\$8,496
Stationary, Printing and Mailing House Postage	\$25,390
Travel	\$13,222
Subtotal Fundraising Expenditures	\$185,676

Program Services:

Support for Acacia Fraternity Headquarters Operation	\$331,309
Educational Grants to Chapters	\$111,251
Foundation Scholarships	\$22,540
Scholarships from Chapter Accounts	\$84,972
Subtotal Program Services Expenditures	\$550,072

TOTAL FOUNDATION EXPENDITURES **\$807,108**

INCOME

Donor Contributions:

Exceptional Fund - Unrestricted Portion	\$262,636
Exceptional Fund - Board Discretionary Portion	\$10,603
Unrestricted Major Gifts (\$25K +)	\$125,000
Subtotal Unrestricted Contributions	\$398,238
Annual Leadership Academy Appeal	\$16,206
Other Board-directed accounts	\$17,555
Endowment accounts	\$289,825
Chapter accounts	\$374,681
Subtotal Restricted Contributions	\$698,267

Investment Income:

Realized Investment Earnings	-\$10,012
Unrealized Investment Earnings	\$290,358.48
Subtotal Investment Earnings	\$280,347

TOTAL FOUNDATION INCOME **\$1,376,852**

NET INCOME **\$569,744**

**Acacia Fraternity Foundation
Balance Sheet (unaudited)
Fiscal Year 2022-2023
July 1, 2022 - June 30, 2023**

	<u>7/1/2022</u>	<u>6/30/2023</u>	<u>Change</u>
ASSETS			
Chase Checking Account	\$48,582	\$159,630	\$111,048
Chase Savings Account	\$5	\$5	\$0
Receivable - Fraternity borrowing from Chase Savings Acct	\$40,000	\$40,000	\$0
Property	\$4,680	\$4,680	\$0
Investment Accounts	\$3,319,777	\$3,789,629	\$469,852
Receivable - California House Corporation loan	\$37,500	\$25,000	(\$12,500)
Receivable - Ohio House Corporation loan	\$25,000	\$24,500	-\$500
Total Assets	\$3,475,545	\$4,043,444	\$567,900
LIABILITIES			
Educational Grants payable	\$0	\$0	\$0
Scholarships payable	\$0	\$0	\$0
Expenses payable	\$0	\$0	\$0
Other	\$0	\$0	\$0
Subtotal Liabilities	\$0	\$0	\$0
FUND BALANCES			
Unrestricted Funds			
General Fund (cash and investments)	\$518,105	\$426,845	(\$91,260)
Property (Book Collection)	\$4,680	\$4,680	\$0
Subtotal Unrestricted:	\$522,785	\$431,525	(\$91,260)
Temporarily Restricted Funds			
Board-Directed Funds	\$130,257	\$136,900	\$6,642
Chapter-Directed Funds	\$1,504,455	\$1,800,893	\$296,437
Subtotal:	\$1,634,713	\$1,937,792	\$303,080
Permanently Restricted Funds			
Board Endowments	\$750,478	\$1,090,936	\$340,458
Donor Endowments	\$565,725	\$583,191	\$17,466
Subtotal:	\$1,316,203	\$1,674,128	\$357,924
Subtotal:	\$0	\$0	\$0
Total Fund Balances	\$3,473,700	\$4,043,445	\$569,744
Total Liabilities and Fund Balances	\$3,473,700	\$4,043,445	\$569,744

Acacia Fraternity Foundation
Board-Directed Accounts and Endowments
Fiscal Year 2022-2023 (unaudited)
July 1, 2022 - June 30, 2023

	<u>7/1/2022</u>	<u>6/30/2023</u>	<u>Change</u>
Board-Directed Accounts			
General Fund (Unrestricted)	\$518,105	\$426,845	(\$91,260)
Exceptional Fund - Board Discretionary Portion	\$4,441	\$11,062	\$6,621
Leadership Academy Fund	\$17,267	\$17,655	\$388
Cornerstones Fund	\$14,376	\$15,031	\$655
Fraternal and Communications Fund	\$5,272	\$4,306	(\$965)
International Council Conclave Speakers Fund	\$4,047	\$3,306	(\$741)
Meeting House Road Fund	\$12,831	\$4,756	(\$8,075)
Pythagoras Membership Manual Fund	\$18,124	\$7,812	(\$10,311)
Scholarship Recruitment Fund	\$53,880	\$69,253	\$15,373
Pay It Forward Fund	\$20	\$3,719	\$3,699
Total Board-Directed Funds	\$648,362	\$563,744	(\$84,617)
Board-Established Endowments:			
Acacia Fraternity Endowment - Book Value	\$38,156	\$38,186	\$30
Acacia Fraternity Endowment - Accumulated Earnings	\$11,363	\$13,624	\$2,261
Acacia Fraternity Endowment - Total Value	\$49,518	\$51,810	\$2,291
Chapter Support Endowment - Book Value	\$1,694	\$1,879	\$186
Chapter Support Endowment - Accumulated Earnings	(\$168)	(\$84)	\$85
Chapter Support Endowment - Total Value	\$1,525	\$1,796	\$271
Communications Endowment - Book Value	\$7,177	\$7,477	\$300
Communications Endowment - Accumulated Earnings	\$243	\$590	\$347
Communications Endowment - Total Value	\$7,420	\$8,067	\$647
Darold W. Larson Leadership Programs Endowment - Book Value	\$104,344	\$124,369	\$20,025
Darold W. Larson Leadership Programs Endowment - Accumulated Earnings	\$985	\$7,547	\$6,563
Darold W. Larson Leadership Programs Endowment - Total Value	\$105,329	\$131,917	\$26,587
Foundation Future Endowment - Book Value	\$446,531	\$716,790	\$270,259
Foundation Future Endowment - Accumulated Earnings	-\$20,550	\$7,119	\$27,669
Foundation Future Endowment - Total Value	\$425,981	\$723,909	\$297,928
Internship Endowment - Book Value	\$225	\$225	\$0
Internship Endowment - Accumulated Earnings	\$25	\$36	\$11
Internship Endowment - Total Value	\$250	\$261	\$11
Scholarship Endowment - Book Value	\$128,776	\$133,819	\$5,042
Scholarship Endowment - Accumulated Earnings	\$31,678	\$39,358	\$7,680
Scholarship Endowment - Total Value	\$160,455	\$173,177	\$12,722
Total Board-Established Endowments	\$750,478	\$1,090,936	\$340,458

**Acacia Fraternity Foundation
Donor-Established Endowments
Fiscal Year 2022-2023 (unaudited)
July 1, 2022 - June 30, 2023**

	<u>7/1/2022</u>	<u>6/30/2023</u>	<u>Change</u>
Irv Field AFF Scholarship Luncheon Speakers Endowment - Book Value	\$29,904	\$29,904	\$0
Irv Field AFF Scholarship Luncheon Speakers Endowment - Accumulated Earnings	\$8,970	\$10,742	\$1,772
Irv Field AFF Scholarship Luncheon Speakers Endowment - Total Value	\$38,874	\$40,646	\$1,772
John F. Hoffner Leadership Series Endowment - Book Value	\$27,993	\$27,993	\$0
John F Hoffner Leadership Series Endowment - Accumulated Earnings	\$24,448	\$26,838	\$2,390
John F. Hoffner Leadership Series Endowment - Total Value	\$52,440	\$54,830	\$2,390
California - George Woolsey Scholarship Endowment - Book Value	\$65,150	\$77,650	\$12,500
Loan to California House Corporation	\$37,500	\$25,000	(\$12,500)
California - George Woolsey Scholarship Endowment - Accumulated Earnings	\$8,151	\$13,824	\$5,673
California - George Woolsey Scholarship Endowment - Total Value	\$110,801	\$116,474	\$5,673
Indiana - Emma C. Allen Memorial Scholarship Endowment - Book Value	\$38,191	\$35,253	(\$2,938)
Indiana - Emma C. Allen Memorial Scholarship Endowment - Accumulated Earnings	\$690	\$2,931	\$2,241
Indiana - Emma C. Allen Memorial Scholarship Endowment - Total Value	\$38,881	\$38,184	(\$697)
Indiana - David J. Allen Memorial Scholarship Endowment - Book Value	\$82,907	\$82,907	(\$0)
Indiana - David J. Allen Memorial Scholarship Endowment - Accumulated Earnings	\$34,389	\$35,506	\$1,118
Indiana - David J. Allen Memorial Scholarship Endowment - Total Value	\$117,296	\$118,413	\$1,117
Iowa State - Harold Zarr Educational Endowment - Book Value	\$22,025	\$22,025	\$0
Iowa State - Harold Zarr Educational Endowment - Accumulated Earnings	\$3,653	(\$1,203)	(\$4,856)
Iowa State - Harold Zarr Educational Endowment - Total Value	\$25,678	\$20,822	(\$4,856)
Kansas State - Bill & Erma Riley Leadership Endowment - Book Value	\$49,929	\$50,429	\$500
Kansas State - Bill & Erma Riley Leadership Endowment - Accumulated Earnings	\$5,149	\$5,294	\$145
Kansas State - Bill & Erma Riley Leadership Endowment - Total Value	\$55,078	\$55,723	\$645
Ling Western Colonies and Chapter Endowment - Book Value	\$50,000	\$50,000	\$0
Ling Western Colonies and Chapter Endowment - Accumulated Earnings	\$2,035	\$13,021	\$10,985
Ling Western Colonies and Chapter Endowment - Total Value	\$52,035	\$63,021	\$10,985
Dr. Stan and Ann Tao Graduate Scholarship Endowment - Book Value	\$5,000	\$5,000	\$0
Dr. Stan and Ann Tao Graduate Scholarship Endowment - Accumulated Earnings	(\$250)	\$20	\$270
Dr. Stan and Ann Tao Graduate Scholarship Endowment - Total Value	\$4,750	\$5,020	\$270
Washington State - Lester N. Liebel Cornerstones Endowment - Book Value	\$49,984	\$49,984	\$0
Washington State - Lester N. Liebel Cornerstones Endowment - Accumulated Earnings	\$19,908	\$20,075	\$167
Washington State - Lester N. Liebel Cornerstones Endowment - Total Value	\$69,891	\$70,059	\$167
Total Donor-Established Endowments	\$565,725	\$583,191	\$17,465

**Acacia Fraternity Foundation
Chapter Account Balances
Fiscal Year 2022-2023 (unaudited)
July 1, 2022 - June 30, 2023**

	<u>7/1/2022</u>	<u>6/30/2023</u>	<u>Change</u>
Arizona State	\$1,679	\$1,827	\$148
Arizona State - Scholarships	\$225	\$225	\$0
Auburn	\$19	\$269	\$250
Bloomsburg	\$100	\$100	\$0
California	\$13,949	\$12,869	(\$1,080)
California - Duncan McPherson Memorial Scholarship	\$11,555	\$16,048	\$4,493
California Chapter House Library	\$11,324	\$12,708	\$1,384
Cal Poly - Pomona	\$33,914	\$35,842	\$1,928
Carleton	\$842	\$842	\$0
Central Oklahoma	\$1,076	\$1,103	\$27
California Univ of Pennsylvania (C.U.P.)	\$6,916	\$6,387	(\$529)
Eric Swigart Omicron Class Leadership Scholarship Fund	\$1,716	\$1,760	\$44
C.U.P. Leadership Scholarship	\$88	\$1,392	\$1,304
Colorado	\$3,602	\$3,975	\$373
Colorado - Scholarship Fund	\$5,674	\$5,816	\$142
Cornell	\$45,890	\$48,166	\$2,276
Franklin	\$1,507	\$1,545	\$38
Illinois	\$1,789	\$2,087	\$298
Illinois - Building Fund	\$27,157	\$130,571	\$103,414
Illinois - Scholarship Fund	\$15,300	\$15,685	\$385
Illinois State	\$9,523	\$6,817	(\$2,706)
Illinois Wesleyan	\$19,198	\$23,262	\$4,064
Illinois Wesleyan - 915 Scholarship	\$1,798	\$2,449	\$651
Indiana University of Pennsylvania (I.U.P.)	\$51	\$301	\$250
Indiana	\$18,961	\$121,636	\$102,675
Indiana - Lautzenheiser Memorial Scholarship	\$100,024	\$105,708	\$5,684
Indiana - Kyle P. Simcoe Memorial Fund	\$46,365	\$49,000	\$2,635
Indiana - Building Fund	\$2,090	\$10,729	\$8,639
Indiana - Peter Jeske Memorial Scholarship Fund	\$10,810	\$11,424	\$614
Iowa	\$116,131	\$110,531	(\$5,600)
Iowa - Good Brothers Scholarship Fund	\$0	\$900	\$900
Iowa State	\$452	\$1,809	\$1,357
Iowa State - Edwin Drdla Educational Fund	\$108,482	\$99,427	(\$9,055)
Iowa State - New Chapter House Fund	\$0	\$2,066	\$2,066
James Madison	\$700	\$735	\$35
Kansas State	\$7,691	\$8,779	\$1,088
Kansas State - Scholarship Fund	\$11,408	\$12,056	\$648
Kansas State - Alan John Trachsel Memorial Fund	\$14,557	\$14,923	\$366
Kansas State - Jay Crabb Scholarship	\$34,837	\$36,817	\$1,980
Kansas State - Samuel G. Unger Memorial Fund	\$1,201	\$1,666	\$465
Kansas State - Acacia Century Fund	\$91	\$91	(\$0)
Long Beach State - Norman C. Saatjian Memorial Scholarship	\$120	\$120	\$0
Louisiana State	\$2,236	\$2,714	\$478
Louisiana State - Charles L. 'Chief' Sartain, Jr. Scholarship	\$63,121	\$69,141	\$6,020
Louisiana State - Building Fund	\$113,856	\$121,529	\$7,673
Louisiana Tech	\$810	\$810	\$0
Miami of Ohio	\$713	\$713	(\$0)

**Acacia Fraternity Foundation
Chapter Account Balances
Fiscal Year 2022-2023 (unaudited)
July 1, 2022 - June 30, 2023**

	<u>7/1/2022</u>	<u>6/30/2023</u>	<u>Change</u>
Michigan	\$5,214	\$5,345	\$131
Millersville	\$325	\$375	\$50
Minnesota	\$76,072	\$76,540	\$468
Missouri	\$4,812	\$4,933	\$121
Missouri - Anthony R. Olson Memorial Scholarship	\$2,899	\$2,972	\$73
Morningside	\$100	\$100	\$0
Nebraska	\$14,191	\$4,047	(\$10,144)
Nebraska - L. Ronald Letson Scholarship	\$6,854	\$4,993	(\$1,861)
New Hampshire	\$778	\$1,012	\$234
North Carolina	\$1,745	\$1,926	\$181
North Carolina - Wilmington	\$0	\$0	\$0
Northwestern University	\$12,541	\$13,254	\$713
Northwest Oklahoma State	\$100	\$100	\$0
Ohio	\$2,927	\$2,726	(\$201)
Ohio - Cupp Brothers Memorial Scholarship	\$970	\$970	(\$0)
Ohio - Library Fund	\$5,852	\$5,999	\$147
Ohio - Henry & C. Schneider Memorial Scholarship	\$124	\$124	\$0
Ohio State	\$28,060	\$34,228	\$6,168
Ohio State - John Nourse Scholarship Fund	\$5,284	\$5,417	\$133
Oregon State	\$18,326	\$21,622	\$3,296
Oregon State - Richard S. Reid Scholarship Fund	\$15,036	\$5,057	(\$9,979)
Oregon State - Chapter House Maintenance Fund	\$144	\$11,555	\$11,411
Oregon State - Chapter House Improvement Fund	\$2,763	\$2,833	\$70
Penn State Altoona	\$250	\$250	\$0
Penn State - Square & Compass	\$5,056	\$5,984	\$928
Penn State - G.K. Nelson and Glenn C. Ream Scholarship Fund	\$63,759	\$68,401	\$4,642
Penn State - W. Russell Scott Memorial Fund	\$5,440	\$5,749	\$309
Penn State - Herb M. Andrews Scholarship	\$29,679	\$31,365	\$1,686
Pitt/Johnstown	\$485	\$485	\$0
Purdue	\$12,140	\$2,524	(\$9,616)
Purdue - Leonard E Wood Chapter Advisor's Scholarship	\$75,037	\$77,709	\$2,672
Rensselaer Polytechnic Institute	\$9,275	\$9,846	\$571
Saint Cloud State	\$14,201	\$15,884	\$1,683
Shippensburg	\$2,762	\$2,832	\$70
Shippensburg - Andrew G Krishock Scholarship	\$9,744	\$9,989	\$245
Syracuse	\$412	\$412	\$0
Syracuse - J.P. Daratt Memorial Scholarship	\$70,894	\$74,923	\$4,029
Syracuse - Scholarship Fund	\$564	\$564	(\$0)
Syracuse - Library & Education Fund	\$1,261	\$1,293	\$32
Texas	\$39,666	\$40,012	\$346
Trine	\$4,035	\$4,001	(\$34)
UNLV	\$11,725	\$12,276	\$551
Vermont	\$9,352	\$9,883	\$531
Washington	\$5,538	\$6,125	\$587
Washington State	\$29,818	\$59,290	\$29,472
Wisconsin	\$16,260	\$21,499	\$5,239
Wisconsin - Michael S. Hannes Memorial Scholarship	\$11,840	\$13,785	\$1,945

**Acacia Fraternity Foundation
Chapter Account Balances
Fiscal Year 2022-2023 (unaudited)
July 1, 2022 - June 30, 2023**

	<u>7/1/2022</u>	<u>6/30/2023</u>	<u>Change</u>
Wisconsin - Dean C Toda Memorial Scholarship	\$0	\$3,718	\$3,718
Wyoming	\$600	\$600	\$0
Total Chapter Funds	\$1,504,458	\$1,800,893	\$296,435

Gawtmg

Ai--Iomaya

I At--Utobiw

H I--Utoptshy

Sa74tomt--Ufseagi

GstwI--SkopfKtgyd

Dtoshta--Kwb

Umtst-U--Utryd

SKt--Urw

SocwIawwst--Uydw

Barwst--N--Ugahyd

Mt--Sydswo

HJ--Kibyh

Ahitpy