



Acacia Fraternity Foundaton

2021-22 Annual Report



ACACIA FRATERNITY FOUNDATION, INC.
12721 Meeting House Road • Carmel, IN • 46032 • (317) 872-8210
E-mail: acacianat@acacia.org • Website: acacia.org/foundation

Acacia Fraternity Foundation

"Preparing Tomorrow's Leaders"

2021-2022 Annual Report

August 6, 2022

Introduction

This month the Acacia Fraternity Foundation celebrates its **33rd Anniversary**. Founded in 1989, the Acacia Fraternity Foundation makes it possible for Acacians and friends of Acacia to make tax-deductible contributions to support the educational activities of Acacia Fraternity and provide scholarships for undergraduates.

The Foundation received over **\$1.1 million** from **1,119** contributors during the fiscal year ending June 30, 2022. At year-end Foundation, assets were **\$3.73 million**. Over the last 33 years, 6,731 Donors representing 95 different Chapters and Colonies, and friends of Acacia have contributed over **\$16.5 million** dollars to the Foundation for these purposes.

Leadership Gifts – *The Black & Gold Brigade*

The Black & Gold Brigade recognizes leadership gifts from members whose contributions to the Foundation. A record number of 166 Acacians and friends of Pythagoras made gifts of \$1,000 or more between July 1, 2021 and June 30, 2022. *Thank you!*

\$100,000 and above

Daniel R. Lang, Northwestern

\$50,000 to \$99,999

Ernest W. Scheerer, Purdue

Charles F. Switzer, Oregon State

\$20,000 to \$49,999

Richard A. Bush, Indiana

Dewayne E. Ullsperger, Nebraska

Richard I. Williams, Grand Valley State

John F. Beering, Purdue

Dr. Gene Greenlees Texas

\$10,000 to \$19,999

Hilton A. Jones, Jr., Washington State

L. David Waibel, Purdue

Dr. Dwyte E. Brooks, Sr., Northwestern

Hiko Takeda, Iowa State

Ms. Diana Smith, Friend of Pythagoras

Steven B. Cutshall, Purdue

Larry E. Schroeder, Georgia

Fredrick C. Garrott, Illinois

Robert E. Garrow, Indiana

Byron J. Meade, Purdue

Jed W. Morris, Washington State

Dr. George F. Rapp, Indiana

Robert J. Svatos, Illinois

Robert G. Travnicek, MD, Kansas

\$5,000 to \$9,999

James D. Weaver, Indiana

Colorado Acacia Fraternity House Corp.,

David L. Ferguson, Indiana

John F. Hoffner, Purdue

David W. Zier, Oregon State

William A. Utic, Cornell

David M. Lemke, Wisconsin

Robert E. Roberson, Illinois Wesleyan

Aaron P. Darcy, Indiana

Per Hilmo, Washington State

Jerome P. Jungels, Indiana

\$5,000 to \$9,999, continued

Randolph K. Shoup, DDS, Indiana

Brock P. Nolan, Indiana

Darold W. Larson, Washington State

David R. Quick, Rensselaer

Warren L. Anderson, Washington State

Timothy L. Bray, Indiana

Miguel F. Aznar, California

Philip J. Crihfield, Purdue

Robert C. Fanning, Purdue

Thomas E. Goodrich, Texas

Gregory J. Hamer, Sr., Louisiana State

Thomas S. Hartman, Washington State

Dr. Leonard & Iona Ling Foundation,

Edward J. McGrath, Indiana

Robert R. Myers, Jr., Stephen F. Austin

Clifford D. Nelsen, Indiana

Arman Paymai, California

William H. Purcell, Indiana

Warren R. Young, Purdue

\$2,500 to \$4,999

Byron A. Tabor, Iowa

Christ Drossos, Jr., Indiana

Michael L. Rollins, Washington

Scott H. Meyer, St. Cloud State

William M. Thornton, Ohio State

Brian Roger Durst, Wisconsin

Robert L. Hurni, Ohio State

James L. McFarland, Wisconsin

Brian S. Strayer, Ohio State

Kris R. Lutt, Nebraska

Guy G. Gebhardt, Illinois Wesleyan

Richard K. Price, Illinois

Anonymous Friends of Pythagoras

Phillip S. Sutton, Ohio State

Robert J. Barlow, Indiana

Dr. Lanny R. Brent, Kansas State

Philip G. Bright, Purdue

Jay E. King, Indiana

Dr. John B. Lane, Vermont

George C. Mansfield, IV, Indiana

Acacia Fraternity Foundation 2021-2022 Annual Report

\$2,500 to \$4,999, continued

James W. Moyers, Louisiana State
Frank E. Reeder, Shippensburg
Robert G. Squires, Louisiana State
Gerald C. Cook, Shippensburg
John P. Wagner, Purdue \$
Michael P. Fillman, Western Ontario
Jon E. Scholten, St. Cloud State
Roger M. Cagann, Illinois
Roland E. Dukes, Illinois
Matt F. Loutsis, Washington State
Craig W. Medlyn, Indiana
Arlo E. Sommers, Ohio State
James L. Wilson, Purdue

\$1,500 to \$2,499

Joseph M. Orlesh, Jr., Louisiana State
Amos D. Meyers, Jr., Shippensburg
Michael S. Weber, Iowa State
Jeffrey T. Boaz, Illinois Wesleyan
Michael Carl Tu, California
Aaron R. Beattie, Washington State
William Chin, Rensselaer
James M. Hoenscheidt, Kansas State
Carlos E. Odio, Purdue
Mary L. Reid, Friend of Pythagoras
James D. Schlick, Iowa State
Steven A. Verzwylvelt, Jr., Louisiana State
Michael J. Oakes, Indiana
Leonard W. Kearney, Oregon State
John W. Wedgwood, Purdue
Justin M. M. Kaplan, Carleton
James N. Katsaounis, Ohio
George W. Sorrells, III, Indiana
W. Jeffrey Neal, Kansas State
W. Steven Seaboyer, Purdue
Thomas A. Smith, Purdue
Knox Williams, UCLA
Robert L. Zell, Purdue

\$1,000 to \$1,499

Andrew Jee, Oregon State
Michael J. Morrow, Washington State
Christopher B. Carpentier, Indiana
Richard T. Freije, Jr., Purdue
David A. Fruchey, Purdue
James Basil Goritsan, Oregon State
Charles F. Martin, III, Purdue
Thomas W. McDougal, Washington State
Kenneth A. Christenson, Washington State

\$1,000 to \$1,499 cont.

John R. Gruher, Oregon State
F. Howard Halderman, Purdue
Steven J. Reed, Indiana
David E. Thoma, DVM, Purdue
John C. Barber, M.D., Purdue
Michael A. Frucci, Washington State
John C. Davis, New Hampshire
Jeffrey H. Jordan, Ohio State
Russell E. Frew, Indiana
Lawrence N. Allen, Purdue
Bradford K. Oxford, Washington State
Amazonsmile Foundation,
Ms. Susan Larson, Friend of Pythagoras
George T. Abed, Oregon State
Wayne A. Beeder, New Hampshire
Robert E. Bell, Purdue
D. William Biddle, Purdue
Max K. Biery, Purdue
Travis J. Bowie, Kansas State
John And Karen Brennan,
Mrs. Jo Ann Cork,
Thomas C. Cornwell, Indiana
Thomas M. Fansler, Jr., Purdue
Robert H. Fleming, Kansas State
Halbert E. Gossard, Purdue
James E. Hayes, Purdue
Ronald T. Hopkins, Syracuse
Craig A. Hubbell, Washington
Paul G. Ingram, Oregon State
Allen N. Johnson, D.V.M., Washington State
Michael L. Jones, Purdue
Paul R. Knachel, Indiana
Woodrow W. Mann, Arkansas
Eric J. Milbrandt, Iowa State
Michael L. Miller, Purdue
Richard A. Panek, Purdue
Charles A. Paulson, Kansas State
John H. Peper, Texas
Jacob L. Pergande, Iowa State
Richard L. Pottenger, Purdue
Dale E. Redman, Louisiana State
Kenneth E. Roberts, Jr., Oregon State
David E. Schmidt, Jr., Long Beach State
Mark J. Schnarr, Purdue
Alan S. Tai, Washington State
Richard E. Warren, Jr., Purdue
James T. Wormley, Illinois
Lance K. Yokota, California

The 1904 Society

In 2018 the Foundation launched a recurring gift program called the 1904 Society. The 1904 Society begins at graduation and continues throughout the alumni journey. Through the 1904 Society the Foundation seeks to build a culture of continuous, life-long giving.

With the assistance of chapter advisors, the importance of giving back to Acacia is emphasized to graduating members following the Alumni Induction Ceremony. The Foundation is working with the Fraternity to include the 1904 Society in the Alumni Induction Ceremony at all chapters.

Acacia Fraternity Foundation 2021-2022 Annual Report

The foundation would like to thank and acknowledge those who have set recurring donation schedules for their participation in the 1904 Society:

Kodjo Awadjie, Washington State
Scott A. Beckman, Washington
Eric E. Bingen, Wisconsin
Chip C. Brueckman, Cornell
Edward Cardinal, California
J. Scott Cleland, Ohio
Robert Davis, Iowa, State
John C. Davis, New Hampshire
Brian S. Downs, Central Oklahoma
Jeffrey Eller, Washington State
David Engeldinger, Wisconsin
Ryan J. Ferguson, Illinois State
Joshua Gannon, Oregon State
Mark D. Griffis, Central Florida
Alan Hoffman, Iowa State
Blake Hutchison, Wisconsin
Craig S. Johnson, LSU
Justin Kaplan, Carleton
Darold Larson, Washington State
Ms. Susan Larson, Friend of Acacia
Albert Lucenti, Illinois State
Chris C. Mackenzie, Iowa State

Patrick W. McGovern, Indiana
Scott H. Meyer, St. Cloud State
Jed. W. Morris, Washington State
Marcus Mountford, Kansas State
Sean O'Neil, Ohio
Nick Partipilo, Illinois Wesleyan
Anthony D. J. Phillips, Carleton
Thom T. Powell, Iowa
Jose Sanchez, UCLA
Matthew R. Schueller, Wisconsin
George Sorrells, Indiana
Brian S. Strayer, Ohio State
David G. Symons, Carleton
Byron Tabor, Iowa
William M. Thornton, Ohio State
Erik Thorson, Illinois Wesleyan
Benjamin Turconi, California
C. J. Van Antwerp, Trine
Caroll J. Washington Jr., Colorado
Michael S. Weber, Iowa State
Joseph Welsbacher, Arizona State



To better serve our donors, the Foundation has added additional giving platforms for donors to give to the AFF. Beyond the traditional giving platform at [acacia.org/donate](https://www.acacia.org/donate) we have added options for Pay Pal and Venmo.

The Evergreen Society

Each year hundreds of Acacians support our Fraternity sharing their time and talents as alumni leaders as well as generously sharing their financial resources. A growing number of Acacians are also including the Foundation in their estate planning, making legacy gifts of support for Acacia.

The transformational value of future legacy gifts from Acacians cannot be overstated. The foresight of our planned donors is critically important to growing the Foundation and enabling us to provide essential long-term financial support for the Fraternity. Acacia's continued success will be largely determined by future estate gifts to the Foundation.

This past year the Foundation received Legacy Gifts from the estates of **David Odegaard**, Cornell, **Hilton A. Jones, Jr.**, Washington State, and **Ernest W. Scheerer**, Purdue. For more information on estate planning, please visit [acacia.planmylegacy.org](https://www.acacia.planmylegacy.org)

Thank you to the following alumni who have elected to become members of the Evergreen Society by naming the Acacia Fraternity Foundation in their estate plans:

Reg DeWayne Aldrich, Central Oklahoma
John C. Barber M.D., Purdue
John F. Beering, Purdue
Ralph F. Braun Louisiana State
Frank A. Cave Texas
Scott J. Cleland, Ohio
Keith B. Chandler, Iowa State
Gerald C. Cook, Shippensburg

Robert K. Craig, Colorado
Robert M. Davis East Texas State
Brian S. Downs, Central Oklahoma
Randyl D. Elkin, Iowa State
James G. Gregory, Washington State
John F. Hoffner, Purdue
Paul E. Householder, Purdue
Scott James Houston, Indiana

Acacia Fraternity Foundation 2021-2022 Annual Report

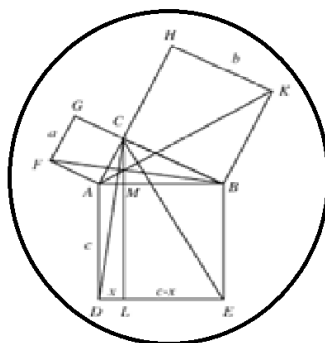
Evergreen Society Members, continued

Richard N. Howell, Indiana
Justin M. M. Kaplan, Carleton
Leonard W. Kearney, Oregon State
Daniel R. Lang, Northwestern
Darold W. Larson, Washington State
Dr. Donald D. Mattox, Nebraska
Amos D. Meyers Jr., Shippensburg
Michael J. Oakes, Indiana
John B. Pugh, Iowa State
George F. Rapp, Indiana
Robert E. Roberson, Illinois Wesleyan

Michael L. Rollins, Washington
Larry E. Schroeder, Georgia
Graham Kirkland Simms, Texas
Michael C. Smith, Northwestern
Rollin J. Smith, Kansas State
Andrew James Stout Cal-Poly Pomona
Steve C. Tapas, Illinois
William A. Utic, Cornell
John W. Wedgwood, Purdue
Eric V. Zwigart, California of Pennsylvania

Recognizing Our Most Generous Lifetime Donors

While our most generous Acacia alumni donors do not seek recognition, the Foundation board of directors believes these faithful contributors deserve to be recognized. Beginning at the 2018 Conclave in New Orleans, these donors were given a specially designed recognition pin that may be worn on the lapel at formal Acacia events. The pin is a round metal enameled pin bearing the following design:



Hypotenuse Club member pins will have one square filled in; Sons of the 47th member pins will have two squares filled in; and Semicircle of Pythagoras member pins will have all 3 squares filled in.

The Hypotenuse Club: At least \$5,000 in lifetime giving to the Foundation

Lawrence Lon Andre, Kansas State
Robert L. Andring, Washington State
Miguel F. Aznar, California
John W. Baty, Iowa State
Brent B. Bayer, Kansas State
Gary Eugene Beachner, Kansas State
Scott Andrew Beckman, Washington
Wayne A. Beeder, New Hampshire
Brian Charles Behrends, Oregon State
Thomas Jonathan Boagni, Louisiana State
Roger B. Bowman, Oregon State
Roger D. Brannan, Kansas State
Charles H. Busch Kansas State
Keith Michael Bushey, Indiana
Charles E. Buxton, Oregon State
Christopher B. Carpentier, Indiana
Stephen John Casper, IV, Iowa State
James J. Chancellor, Louisiana State
Patrick Michael Chittenden, Indiana
Kenneth A. Christenson, Washington State
R. Lee Christie, Illinois Wesleyan
J. Scott Cleland, Ohio
Mr. Neil R. Cole, Nebraska
Roger A. Crane, Louisiana State
Philip Jay Crihfield, Purdue

John H. Danks, Iowa State
Jeremy Nicolas Davis, Iowa State
Derek Dane Dawes, Kansas State
Dustin Scott Detzler, Indiana
William J. Dilcher, Iowa State
Christ Drossos, Jr., Indiana
Matthew Carl Dunning, Wisconsin
Dennis A. Dusek, Illinois
George H. Ebbs, Purdue
Dr. John Rogis Ebensberger, Iowa
Rick C. Elliott, Kansas State
James K. England, Iowa State
Thomas S. Everett, Indiana
Robert Clark Fanning, Purdue
R. Gene Fickel, Illinois
Mr. David W. Flagg, Syracuse
Russell E. Frew, Indiana
Randolph S. Friedman, California
Frederick N. Fritsch, Oregon State
Bruce W. Froendt, Nebraska
H. Benjamin Funk, Kansas State
Mr. Matthew Gambardella, Rensselaer
Mr. Bruce F. Garnand, Kansas State
Patrick A. Gaughan, Illinois
Ron Gebhardt'sbauer, Penn State

Acacia Fraternity Foundation 2021-2022 Annual Report

The Hypotenuse Club, continued

Jerome Arnold Gordon, III, Indiana
James S. Grant, Washington State
F. Howard Halderman, Purdue
Robert Lee Hampton, Kansas State
Donald K. Hanes, Illinois
LTC Hal D. Hanes, USA (Ret.), Indiana
Curtis R. Hapgood, Kansas State
Paul C Hermanson, Iowa State
William H. Hernstadt, Rensselaer
Per Hilmo, Washington State
Maximilian J. B. Hopkins, California
Douglas R. Horth, Purdue
Donald R. Hoskins, Oregon State
Mr. Robert D. Howlett, Iowa State
Craig Allen Hubbell, Washington
Robert L. Hurni, Ohio State
Blake John Hutchison, Wisconsin
Clyde E. Kendzierski, Long Beach State
Jay E. King, Indiana
Michael A. Koler, Ohio State
Donald E. Larson, Jr., Penn State
Paul A. Larson, M.D., Northwestern
David Michael Lemke, Wisconsin
Brant Edward Lieske, Indiana
Robert A. Lincicome, Illinois
Woodrow W. Mann, Arkansas
George Campbell Mansfield, IV, Indiana
David L. Mari, Illinois
Tomislav A. Marincic, Michigan
Kevin Thomas May, Wisconsin
Stewart Kreg McCollum, Oregon State
Randall M. McCullough, Illinois Wesleyan
Patrick Wayne McGovern, Indiana
George A. McNiel, Washington State
Nathan Craig Mentzer, Kansas State
James W. Moyers, Louisiana State
Thomas E. Mueller, Indiana
Mr. Roger A. Nealis, Indiana
Clay Logan Niemeyer, Ohio State

Mr. Michael J. Oakes, Indiana
Carlos E. Odio, Purdue
Gordon Duane Olson, Washington State
Bradford K. Oxford, Washington State
Arman Paymai, California
Jeffrey David Peace, Oregon State
Jeffrey Lynn Peil, Iowa State
David W. Powell, Indiana
Dr. Charles L. Pyne, Kansas State
Richard Scott Rasmussen, California
Terry Lynn Resseguie, Kansas State
Dr. Charles E. Rockwood, Illinois
John A. Rosso, Arizona
Arthur P. Roy, JD, Iowa State
Jose R. Sanchez, Jr., UCLA
Wilbur G. Sandbulte, Iowa State
Alan Benjamin Scher, Wisconsin
Thomas O. Schoellkopf, Indiana
John E. Shrader, Iowa State
Kerry W. Skelton, Purdue
David William Smith, Iowa State
Joe D. Smith, Oregon State
Timothy Ray Stephenson, Oregon State
Paul Van Stevens, Southern California
Alan S. Tai, Washington State
Stanley S. Tao, Indiana
Britt Ward Thomas, Oregon State
Robert C. Trezise, Northern Colorado
Jerry L. Tuttle, Iowa State
Curtis William Voges, Illinois
Mr. John P. Wagner, Purdue
Ernest W. Wakeham, Oregon State
Michael D Walker, Iowa State
Mr. Dale W. Weber, PhD, Iowa State
Michael Steven Weber, Iowa State
Douglas R. Whitney, Iowa State
Jay W. Williams, Illinois Wesleyan
Knox Williams, UCLA
Neil H. Woodley, Iowa State
Mack E. Wootton, Indiana

The Sons of the 47th: At least \$10,000 in lifetime giving to the Foundation

George T. Abed, Oregon State
Warren L. Anderson, Washington State
Herbert M. Andrews, Penn State
John C. Barber, M.D., Purdue
Robert J. Barlow, Indiana
William Kent Barnow, Kansas State
James Dennis Bassett, Kansas State
Daniel D. Bayston, Illinois
Aivars Pilas Berzins, USN, Iowa State
Dean R. Blanken, Colorado
Jeffrey T. Boaz, Illinois Wesleyan
Travis J. Bowie, Kansas State
Timothy L. Bray, Indiana
Dr. Lanny R. Brent, Kansas State
Dr. Dwyte E. Brooks, Sr., Northwestern
Jack R. Burchfield, Central Oklahoma
Stewart L. Burger, Cornell
Richard A. Bush, Indiana
Bruce M. Campbell, Iowa State
John P. Campbell, Iowa State
Christopher James Caywood, Michigan
Mark Andrew Christiansen, California

C. F. K. Cole, Texas
Albert S. Conly, Texas
Gerald C. Cook, Shippensburg
Steven B. Cutshall, Purdue
Aaron Peter Darcy, Indiana
Laury Edward Decker, Iowa State
Mr. Brian Roger Durst, Wisconsin
Dr. Randyl D. Elkin, Iowa State
Peter J. Eversole, Iowa State
David Luther Ferguson, Indiana
Michael Peter Fillman, Western Ontario
Larry B. Forsland, Minnesota
John Robert Fralick, Kansas State
Alex I. Fraser, M.D., Iowa State
Richard T. Freije, Jr., Purdue
David A. Fruchey, Purdue
Fredrick C. Garrott, Illinois
Robert E. Garrow, Indiana
Rene A. Garza, Texas
Guy G. Gebhardt, Illinois Wesleyan
Dr. Donald L. Good, Iowa State
James Basil Goritsan, Oregon State

Acacia Fraternity Foundation 2021-2022 Annual Report

The Sons of the 47th. continued

Ronald G. Graver, Kansas State
Dr. Gene Greenlees, Texas
Gary J. Haag, Kansas State
John Charles Haas, Kansas State
Steven Kent Haines, Indiana
Gregory J. Hamer, Sr., Louisiana State
Thomas S. Hartman, Washington State
Warren S. Hawkins, Louisiana State
James E. Hayes, Purdue
James Michael Hoenscheidt, Kansas State
Destry Wade Hood, Nebraska
Ronald T. Hopkins, Syracuse
Scott James Houston, Indiana
Larry L. Ihrig, Kansas State
Paul G. Ingram, Oregon State
George B. Jackson, Penn State
Andrew Jee, Oregon State
Glenn M. Johnson, Louisiana State
Lynn R. Johnson, Kansas State
Mark Hunt Johnson, Purdue
Jerome P. Jungels, Indiana
Jerrald T. Kabelin, Indiana
James Nick Katsaounis, Ohio
Charles J. Kinzel, Oregon State
Darwin K. Klein, Kansas State
Edward S. Knight, Texas
Curtis A. Krizek, Kansas State
Darold W. Larson, Washington State
Philip C. Larson, Iowa State
Laurence Ronald Letson, Nebraska
Larry F. Lewis, Illinois
Anthony David Little, Oregon State
Fred W. Loseke, Kansas State
Laurence Alan Lowry, Iowa State
John M. Lundsten, Illinois
Kris Robert Lutt, Nebraska
John T. Lynch, Iowa State
Dr. Donald G. Lyon, Iowa State
James M. McDonald, Iowa State
James L. McFarland, Wisconsin
Edward Joseph McGrath, Indiana
Martin Thomas McKnight, Oregon State
Byron J. Meade, Purdue
Arthur Edward Mertes, Illinois
Scott Howard Meyer, St. Cloud State
Amos D. Meyers, Jr., Shippensburg
Kelly D. Miller, Kansas State
Ronald A. Mitchell, Colorado
Jed W. Morris, Washington State
Robert R. Myers, Jr., Stephen F. Austin
W. Jeffrey Neal, Kansas State

Clifford D. Nelsen, Indiana
Dallas L. Nelson, PhD, Kansas State
Brock Phillip Nolan, Indiana
Dr. W. Edward Null, M.D., Kansas State
Mr. Joseph Michael Orlesh, Jr., Louisiana State
Gary A. Patterson, Kansas State
John H. Peper, Texas
Terry L. Poling, MD, Kansas State
Tim E. Poling, D.D.S., Kansas State
William Harrison Purcell, Indiana
Mr. David R. Quick, Rensselaer
Hollis W. Rademacher, Minnesota
Richard C. Rayburn, Illinois
Frank E. Reeder, Shippensburg
Michael Lee Rollins, Washington
Paul E. Ruby, Illinois
Charles W. Sartain, Louisiana State
Leon A. Scheffler, Kansas State
James D. Schlick, Iowa State
Khozema Zoher Shipchandler, Indiana
Randolph K. Shoup, DDS, Indiana
Donald W. Solanas, Jr., Louisiana State
Arlo Eugene Sommers, Ohio State
George W. Sorrells, III, Indiana
Andrew James Stout, Cal Poly-Pomona
Brian Scott Strayer, Ohio State
William H. Strong, Purdue
Phillip Sherman Sutton, Ohio State
Robert J. Svatos, Illinois
Byron A. Tabor, Iowa
Hiko Takeda, Iowa State
Steven L. Taylor, M.D., Kansas State
Terry L. Thoem, Iowa State
William Michael Thornton, Ohio State
James I. Tims, Texas
Lowry Lamar Tims, Texas
Michael Carl Tu, California
Kenneth A. Wagner, Illinois
L. David Waibel, Purdue
Dean Kent Wallace, Kansas State
Dr. William L. White, Kansas State
Daniel Brian Williams, California
Bert Todd Wion, Oklahoma State
Larry A. Wogahn, Iowa State
David E. Wolfe, Iowa State
Clay David Woolfolk, Jr., Kansas State
James T. Wormley, Illinois
Warren R. Young, Purdue
Harold D. Zarr, Jr., Iowa State
David W. Zier, Oregon State
Howard S. Zwiefel, III, Cornell
Eric Vaughn Zwigart, California of Pennsylvania

The Semicircle of Pythagoras: An exceptional lifetime contribution level

Phillip L. Baker, M.D., Iowa State
David S. Baum, Indiana
John F. Beering, Purdue
James H. Davis, Iowa State
David H. Fifield, Iowa State
Dr. David R. Fischell, Cornell
Edgar H. Grubb, Penn State
James M. Hanson, Iowa State
John F. Hoffner, Purdue
Leonard W. Kearney, Oregon State

Dr. John B. Lane, Vermont
Daniel R. Lang, Northwestern
G. Hank Nystrom, Iowa State
Joseph D. Patton, Jr., Penn State
Dr. George F. Rapp, Indiana
William M. Riley, Jr., Kansas State
Robert E. Roberson, Illinois Wesleyan
Stanley A. Roberts, Oregon State
Theodore H. Schnormeier, Iowa
Larry E. Schroeder, Georgia

Acacia Fraternity Foundation 2021-2022 Annual Report

The Semicircle of Pythagoras: continued

Charles F. Switzer, Oregon State
Richard W. Taylor, Iowa State
Robert G. Travnicek, MD, Kansas
Dewayne Edward Ullsperger, Nebraska

William A. Utic, Cornell
James David Weaver, Indiana
John W. Wedgwood, Purdue
Richard Ivan Williams, Grand Valley State

Honorary and Memorial Contributions

The Foundation received the following honorary and memorial contributions during the past year:

California – George C. Woolsey Memorial Scholarship

Bladimir E. C. Rodriguez, California '21

Indiana - Peter Jeske Memorial Scholarship

Michael J. Oakes, Indiana '76

Ohio State - John Nourse Memorial Scholarship

Brian Scott Strayer, Ohio State '84

Oregon State - Richard S. Reid Scholarship

James B. Switzer, Oregon State '82
Gerald H. Matson, Oregon State '60
Leonard W. Kearney, Oregon State '59
Mary L. Reid, Friend of Acacia
Charles F. Switzer, Oregon State '56

Penn State - G. Kenneth Nelson Memorial Scholarship

Richard R. Harro, Penn State '79
Richard W. Hegarty, Penn State '56
Seth A. Holst, M.D., Penn State '91
Craig S. Huse, Penn State '89
Michael V. Pirrotta, Penn State '85
Neil C. Ray, Penn State '55
George A. Ray III, Penn State '10
Christopher W. Soika M.D., Penn State '75

Penn State – W. Russell Scott Memorial Scholarship

George A. Ray III, Penn State '10

In Memory of L. Edwin Coate Oregon State, '55

The Family of L. Edwin Coate

Purdue - Leonard E. Wood Memorial Chapter Advisor's Scholarship

Thomas E. Kaercher, Purdue '81
Purdue University

Wisconsin - Michael S. Hannes Memorial Scholarship

Eric C. Bigen, Wisconsin '97
Jeffrey T. Boaz, Illinois Wesleyan '89
Michael M. Choi, Wisconsin '88
Brian R. Durst, Wisconsin '87
David J. Engeldinger, Wisconsin '08
Gwen Hannes, Friend of Acacia
Dr. Brian W. Hong, Wisconsin '99
Paul K. Hurlbut, Wisconsin '13
Blake J. Hutchison, Wisconsin '97
David M. Lemke, Wisconsin '89
Jon A. Lippman, Wisconsin '63
James G. Marsden, Illinois Wesleyan '84
Kevin T. May, Wisconsin '02
James L. McFarland, Wisconsin '91

Wisconsin - Michael S. Hannes Memorial Scholarship, continued

Robert A. Miller, Wisconsin '96
Alan B. Scher, Wisconsin '96
Matthew R. Schueller, Wisconsin '96
Charles O. Sigmund, Wisconsin '14
Jeffrey A. Tornow, Wisconsin '87

In Memory of Past AFF Director, Assistant Director & Leadership Consultant Acacia Fraternity Robert E. Jepson Kansas State '53

Woody Bolander, Friend of Acacia
M. C. Carthaus, Friend of Acacia
Fred And Shirley Jepson, Friends of Acacia

In Memory of Karl A. Meyer Ohio State '57

The Family of Karl A. Meyer

In Memory of Richard A. Rhoades UCLA '57

Dr. John D. Rhoades, UCLA '58

In Memory of Arland T. Stein Purdue '57

David E. Thoma, DVM Purdue '60
Larry R. Clapper, Purdue '61
Robert E. Bell, Purdue '61
Richard Clemens, Friend of Acacia
Ms. Mara Riemer, Friend of Acacia
Kenneth Cookson, Friend of Acacia
Michael E. Lowenstein, Friend of Acacia
Ms. Patricia Constantin Orringer, Friend of Acacia
Jerry Cardell % Rawle & Henderson LLP
Ms. Mary Susan Simler, Friend of Acacia
Ms. Joyce F. Diamondstone, Friend of Acacia

In Memory of James L. Farris, Purdue '61

The Family of James L. Farris

In Memory of Gordon W. Lawler, Purdue '61

Robert E. Bell, Purdue, '60
David E. Thoma, DVM, Purdue '60

In Memory of Michael L. Miller, Purdue '64

The Family of Michael L. Miller

In Memory of Terry W. Smith Illinois Wesleyan, '64

Guy G. Gebhardt, Illinois Wesleyan '66
Robert E. Roberson, Illinois Wesleyan '74

In Memory of Thomas M. Putnam, III Colorado, '64

The Family of Thomas M. Putnam, III

Acacia Fraternity Foundation 2021-2022 Annual Report

In Memory of Wayne R. Johnson, Illinois Wesleyan '67

Guy G. Gebhardt, Illinois Wesleyan '66
Robert E. Roberson, Illinois Wesleyan '74
Jeffrey T. Boaz, Illinois Wesleyan '89

In Memory of D. Bruce McClaren, Illinois Wesleyan '70

Robert E. Roberson, Illinois Wesleyan '74

In Memory of Thomas E. Goodrich Texas, '72

The Family of Thomas E. Goodrich

In Memory of John W. Dry, Georgia, '71

Charles David Bentley, Georgia '86

In Memory of Weldon T. Graham, Texas '68

Zilmon F. Smith, Texas '68

In Memory of Tom A. Dorsey, Washington State '77

Charles F. Dabundo, Friend of Acacia

In Memory of Kevin M. DiGiammarino Penn State, '85

Michael V. Pirrotta, Penn State '85

In Memory of Steven A. Shaporo C.U.P. '91

Michael A. Pisco, C.U.P. '90

In Honor of Christ Drossos, Jr, Indiana '73

Darold W. Larson, Washington State '81

In Honor of Harold D. Zarr, Jr, Iowa State '73

James H. Davis, Iowa State '54

In Honor of Kenneth A. Christenson, Washington State '80

Darold W. Larson, Washington State '81
Mark D. Murray, Washington State '83

In Honor of Dewayne E. Ullsperger, Nebraska '82

Darold W. Larson, Washington State '81
Nicholas Partipilo, Illinois Wesleyan '17

In Honor of Eric D. Ney Ohio State '86

Thomas C. Kipfer, Sr. Ohio State '86

Educational Grants

The Foundation awarded **\$269,187** to Acacia Fraternity headquarters for the year. Foundation grants support Acacia Fraternity's Darold W. Larson Acacia Leadership Academies every summer, the Leonard W. Kearney Chapter Officer Summits during winter semester breaks, and Fraternity staff support to chapters and colonies. Foundation grants also support other educational programs provided by Acacia's headquarters staff, the *Triad* and Acacia's e-newsletters.

The Foundation also provided **\$903,692** in educational grants to chapters. Grants awarded to chapters by the Foundation during the past year supported the following educational activities:

- Educational tutoring program (**Illinois Wesleyan, Indiana**)
- GPA achievement awards (**Iowa and Indiana**)
- Educational seminars, faculty speakers and community service projects (**Ohio**)
- Internet and campus computer system connections, equipment, and monthly fees (**Texas**)
- Study programs including rental of on-campus study rooms (**UNLV**)
- Renovation, maintenance, and operation of the qualified educational portion of chapter houses (**Illinois, Indiana, Iowa State, Oregon State, Purdue**)
- Chapter registration and travel expenses for attending the Darold Larson Leadership Academy and the Lee Kearney Officer Summit (**C.U.P., Iowa, Iowa State, Kansas State, St. Cloud State, Texas, Washington State, Wisconsin**)

Pythagoras Fund Donors

The Foundation created a special fund during the 21-22 fiscal year to support the reprinting of the Pythagoras Membership Manual. The following donors to this special project will ensure the values contained within the Pythagoras will be part of every new member's Acacia Journey.

1894 Masonic Club \$1,000 and above

James D. Weaver, Indiana '54
James M. Hoenscheidt, Kansas State '83
Larry E. Schroeder, Georgia '77

Coat of Arms Club \$500 to \$999

Jeffrey T. Boaz, Illinois Wesleyan '89
Michael P. Fillman, Western Ontario '85
Rene A. Garza, Texas '71

Acacia Fraternity Foundation 2021-2022 Annual Report

Coat of Arms Club \$500 to \$999, continued

Gregory J. Hamer, Louisiana State '65
Leonard W. Kearney, Oregon State '59
W. Jeffrey Neal, Kansas State '81
Joseph N. Psyk, St. Cloud State '06
Robert E. Roberson, Illinois Wesleyan '74
Paul E. Ruby, Illinois '72
George W. Sorrells, Indiana '84
William M. Thornton, Ohio State '89
Lowry L. Tims, Texas '61

Pearl Club \$250 to \$499

Christopher B. Carpentier, Indiana '93
Daniel M. Caruso, Arizona State '16
Jeffrey A. Dalton, Oregon State '83
James H. Davis, Iowa State '54
Christ Drossos, Jr., Indiana '73
David L. Ferguson, Indiana '74
David A. Fruchey, Purdue '68
Gary J. Haag, Kansas State '90
George B. Jackson, Penn State '62
Kevin R. Maloney, Carleton '91
Brock P. Nolan, Indiana '94
David R. Parks, Indiana '75
Frederic C. Reed, Wyoming '62
Gregory W. Saylor, Penn State '73
Paul A. Weglage, Ohio State '71

Garnet Club \$100 to \$249

Lawrence L. Andre, Kansas State '92
Vincent J. Arizzi, Trine '67
E. Hanlin Bavely, Cincinnati '58
Daniel D. Bayston, Illinois '80
Patrick R. Brentin, Washington State '81
Stewart L. Burger, Cornell '67
James R. Campbell, East Texas State '70
David E. Conner, Purdue '80
Arthur B. Curtis, Long Beach State '61
Jeremy N. Davis, Iowa State '00
Albert M. Donato, Indiana '90
Steven R. Etter, C.U.P. '92
Ryan J. Ferguson, Illinois State '12
Adam J. Fuchsteiner, St. Cloud State '01
Dallas M. Gandy, Central Oklahoma '68
Fredrick C. Garrott, Illinois '68
Guy G. Gebhardt, Illinois Wesleyan '66
Hal D. Hanes, Indiana '63
John F. Hoffner, Purdue '66
Ronald T. Hopkins, Syracuse '69
Craig S. Huse, Penn State '89
James Ni. Katsaounis, Ohio '95
Aaron B. Kellenberger, Ohio '88
David D. Kleinschmidt, Illinois Wesleyan '80
James T. Kolbe, Northwestern '61
David M. Lemke, Wisconsin '89
Georges A. Levesque, Carleton '89
David L. Mari, Illinois '64
John W. Marks, Purdue '61
Charles F. Martin III, Purdue '71
Randall M. McCullough, Illinois Wesleyan '75
James J. McDermott, Illinois Wesleyan '81
James L. McFarland, Wisconsin '91
Scott H. Meyer, St. Cloud State '89
Todd P. Murphy, Louisiana State '84
Michael J. Oakes, Indiana '76
Joseph M. Orlesh, Louisiana State '59
Nicholas Partipilo, Illinois Wesleyan '17

Garnet Club \$100 to \$249, continued

Donald A. Pizer, Penn State '64
William M. Riley, Kansas State '60
Michael L. Rollins, Washington '87
Allan F. Rucka, Northwestern '56
Jose R. Sanchez, UCLA '79
H. Keith Sawyers, Iowa State '56
Alan B. Scher, Wisconsin '96
Michael C. Smith, Northwestern '69
Patrick A. Smith, Colorado '90
Steven R. Steinhubl, Purdue '78
Byron A. Tabor, Iowa '78
Robert M. Terrell, Illinois State '75
Brett C. Thomas, Washington State '78
Britt W. Thomas, Oregon State '78
Michael S. Weber, Iowa State '06
Eric D. Wheeler, N.W. Oklahoma St. '03

Black & Gold Club \$50 to \$99

Thomas J. Balcerski, Cornell '02
Donald G. Carson M.D., Penn State '71
Thomas J. DeRue, Indiana '95
Robert W. Felsburg, Penn State '68
Ian E. Finn, C.U.P. '00
H. Benjamin Funk, Kansas State '52
Stephen M. Golden, Boston '64
Aaron J. Golem, Carleton '01
Paul J. Hiryak, Penn State '74
Craig S. Johnson, LSU '90
Darold W. Larson, Washington State '81
Alan K. Leahigh, Illinois Wesleyan '64
Tomislav A. Marincic, Michigan '83
Paul G. Molnar, Cornell '95
Charles L. Munson, Northern Colorado '65
Ryan S. Ozenbaugh, Arizona State '16
Michael A. Pastko, Purdue '04
Dustin J. Reischman, Washington State '08
Joel J. Rogers, Wisconsin '91
Joshua A. Satterfield, Purdue '19
Thomas L. Shelton, Texas '66
George R. White, Jr., New Hampshire '82

1933 Club \$19.33 to \$49

Jacob W. Arand, Illinois State '21
Max A. Armas, Illinois State '21
William H. Barnes, Shippensburg '66
David E. Conner, Purdue '80
Jon P. DeGroat, Illinois State '21
Alejandro A. Fabre, Illinois State '21
Robert L. Falzone, Penn State '58
Patricio R., Flores, Jr., Illinois State '21
Jared P. J. Grabs, Illinois State '21
G. David Hubbard, Cincinnati '52
Blake J. Hutchison, Wisconsin '97
Jonathan A. Janoski, C.U.P. '05
Declan P. King, Illinois State '21
Michael J. Koss, Illinois State '21
Jack B. Lambert, Purdue '21
Anthony D. Lenehan, Illinois State '21
Hari Ramesh Malladi, Purdue '20
Jay H. Maxwell, Nebraska '81
Benjamin M. Moehn, Illinois State '19
Michael A. Monger, Illinois State '19
Jack W. M. Nixon, Illinois State '21
Michael R. Preston, Illinois State '21
George A. Ray, Penn State '10
Joel Romaine, Shippensburg '69

Acacia Fraternity Foundation 2021-2022 Annual Report

1933 Club \$19.33 to \$49, continued

Hudson C. Thomas, Purdue '22
 Jacob P. Trotter, Illinois State '19
 John H. Ryan, Illinois State '21
 Brian J. Walsh, Shippensburg '77

James A. Witkop, Rensselaer '88
 Chase A. Youngman, Colorado '15
 Connor V Zhang, California '20

Scholarship Awards

The Foundation awarded **over 400** scholarships totaling **\$183,567** during the fiscal year. Scholarship recipients were:

Acacia Fraternity Foundation Duncan McPherson Memorial Fraternityship

Anthony Aigner, Illinois State \$3,000

Acacia Fraternity Foundation George F. Patterson Memorial Scholarship

Jonathan Logan, Nebraska \$3,000

Acacia Fraternity Foundation Larry E. Schroeder Scholarship

Alejandro Posada, Arizona State \$1,000

Acacia Fraternity Foundation Scholarships

Kristian Arturo, Arizona State \$1,000
 Gilbert Akuja, Cornell \$1,000
 Alex Rothschild, Illinois State \$1,000
 Kian Soheili, Wisconsin \$1,000
 Jon Wells, Kansas State \$1,000
 Josh Satterfield, Purdue \$750
 Antonil Violo, Carleton \$750

Pay it Forward Fund Scholarships

Alex Gengler, Arizona State \$570
 Jack Woodbum, Arizona State \$570
 Tyler Kenny, Arizona State \$325
 Dylan Anderson, Arizona State \$325
 Spenser Allsop, Arizona State \$285
 Brett Cohn, Illinois State \$175

David J. Allen Memorial Scholarships

Caleb Fitch, Iowa \$1,000
 Nathaniel Harter, Iowa State \$1,000
 Dhairy Patel, Ohio State \$1,000
 Benjamin Stephen, Illinois State \$1,000

David J. Allen Memorial Scholarships, continued

Benjamin Walbourn, Purdue \$1,000

Emma C. Allen Memorial Scholarships

Jackson Hanchett, Indiana \$1,000
 David Homme, Purdue \$1,000
 William Maher, Indiana \$1,000

Ling Western Colonies and Chapters Scholarships

Benjamin DeBenedictis, Arizona State \$1,000
 Nathan Hascall, Washington State \$1,000
 Connor Hastings, Washington State \$750

California George C. Woolsey Memorial Scholarships

Michael Alezander, California \$900
 Brandon Lee, California \$900

California George C. Woolsey Memorial Scholarships, continued

Brian Lin, California \$900
 Tyson Tonokawa, California \$900
 Felix Yu, California \$900

Colorado Chapter Fall Scholarships

Michael Maciejewski, Colorado \$1,200
 Elan Goldstein, Colorado \$600
 Trey Johnson, Colorado \$600
 Dennis Krimer, Colorado \$600
 James Diebel, Colorado \$400
 Jack Kaufman, Colorado \$400

Colorado Chapter Spring Scholarships

Michael Maciejewski, Colorado \$1,200
 David Denton IV, Colorado \$800
 Elan Goldstein, Colorado \$800
 James Diebel, Colorado \$600
 Jack Kaufman, Colorado \$600
 Dennis Krimer, Colorado \$600
 Carson Sievers, Colorado \$600

Illinois Wesleyan Scholarships

Tristan Hyde, Illinois Wesleyan \$750
 Edward Kimbrough, Illinois Wesleyan \$500
 Deonta Mitchell, Illinois Wesleyan \$500
 Lucas Sawilchuk, Illinois Wesleyan \$500
 Drew Smith, Illinois Wesleyan \$500
 Devin Black, Illinois Wesleyan \$225

Indiana Chapter GPA Scholarships

Clay Keiser, Indiana \$1,500
 Larry Chen, Indiana \$800
 CJ Abunassar, Indiana \$700
 Matthew Elbaum, Indiana \$700
 Joey Mendoza, Indiana \$675
 Casey Daleiden, Indiana \$600
 Will Maher, Indiana \$550
 Benjamin Mahmood, Indiana \$550
 Aidan Thomas, Indiana \$550
 Austin Eng, Indiana \$525
 Jack Gurney, Indiana \$450
 Jake Haussman, Indiana \$450
 Weston King, Indiana \$408
 Noah Zimmerman, Indiana \$400
 Anthony Zoccola, Indiana \$400
 Brisco Wood, Indiana \$375
 Lukas Trieb, Indiana \$350
 Jackson Hanchett, Indiana \$338
 Nate Shatkowski, Indiana \$338
 Harrison Adams, Indiana \$300
 Trey Craig, Indiana \$300
 William Jamieson, Indiana \$300

Acacia Fraternity Foundation 2021-2022 Annual Report

Indiana Chapter GPA Scholarships, continued

Joseph Leonard, Indiana	\$300
Zachary Miller, Indiana	\$300
Austin O'Brien, Indiana	\$300
Grant Schilling, Indiana	\$300
Clay Keiser, Indiana	\$275
Jacob Lukasik, Indiana	\$275
Gabe Aloii, Indiana	\$250
Ritvik Manda, Indiana	\$250
Ryan Budicin, Indiana	\$225
Joe Bullard, Indiana	\$225
Jake Calabrese, Indiana	\$225
Conner Coghlan, Indiana	\$225
Nick Cohoon, Indiana	\$225
Mason Deterding, Indiana	\$225
Trevor Doebele, Indiana	\$225
Jeb Drew, Indiana	\$225
Daniel Leuenberger, Indiana	\$225
Andrew Macy, Indiana	\$225
Trent Murphy, Indiana	\$225
Maxwell Naumann, Indiana	\$225
Matt Rachmiel, Indiana	\$225
Turner Sine Sr., Indiana	\$225
Alan Trinh, Indiana	\$225
Marco Troiano, Indiana	\$225
Jeremy Whitmore, Indiana	\$225
Conor Wiegmann, Indiana	\$225
Charles Zayed, Indiana	\$225
Alexander Moss, Indiana	\$208
Samuel Schierloh, Indiana	\$208
Cameron Soltz, Indiana	\$208
Quinton Nehring, Indiana	\$200
John Bromagen, Indiana	\$188
Rohit Anumakonda, Indiana	\$150
Joey Amico, Indiana	\$150
Calvin Bates, Indiana	\$150
Brendan Breslow, Indiana	\$150
Charlie Brizz, Indiana	\$150
Evan Bruninga, Indiana	\$150
Parker Bryant, Indiana	\$150
Edwin Cisneros, Indiana	\$150
Christopher Conn, Indiana	\$150
Alex DiGiulio, Indiana	\$150
Joseph DiVito, Indiana	\$150
Christopher Frank, Indiana	\$150
Alexander Genetski, Indiana	\$150
Kevin Gierak, Indiana	\$150
Jack Henderson, Indiana	\$150
John Hill, Indiana	\$150
Trevor Horenkamp, Indiana	\$150
Branimir Ilic, Indiana	\$150
Peter Jeske, Indiana	\$150
Benjamin Johnson, Indiana	\$150
John Maher, Indiana	\$150
Jack Milton, Indiana	\$150
Bryan Piento, Indiana	\$150
William Powers, Indiana	\$150
Brady Russell, Indiana	\$150
Brandon Siefiring, Indiana	\$150
Michael Slupski, Indiana	\$150
Cameron Warwick, Indiana	\$150
Cameron Adams, Indiana	\$113
Shepard Harris, Indiana	\$108
Ryan Jennings, Indiana	\$108
Connor Jones, Indiana	\$108
David Schlegel, Indiana	\$108
Alec Najem, Indiana	\$100

Indiana Chapter GPA Scholarships, continued

Ashley Hennessey, Indiana	\$75
Jack Milton, Indiana	\$75
Joseph Browdy, Indiana	\$75
Paul Centanni, Indiana	\$75
Andrew Elmendorf, Indiana	\$75
Michael Forgas, Indiana	\$75
Michael Foster, Indiana	\$75
Tyler Horvitz, Indiana	\$75
Johnny Jones III, Indiana	\$75
Adam Kelly, Indiana	\$75
Aaron Kemp, Indiana	\$75
Ben Kern, Indiana	\$75
Kameron Konopasek, Indiana	\$75
Matthew Lapel, Indiana	\$75
Tommie Lucas, Indiana	\$75
Jake Martin, Indiana	\$75
Frank Nicholson, Indiana	\$75
Shane O'Neill, Indiana	\$75
Charlie Pickus, Indiana	\$75
Blake Quarrie, Indiana	\$75
Daylen Ramusack, Indiana	\$75
Eric Rasch, Indiana	\$75
Parker Robinson, Indiana	\$75
Thom Schoenenberger, Indiana	\$75
Cameron Schultz, Indiana	\$75
Josh Sensibaugh, Indiana	\$75
Jimmy Snyder, Indiana	\$75
Anthony Spallone, Indiana	\$75
Jordan St. Clair, Indiana	\$75
Matthew Strauss, Indiana	\$75
Adam Tabesh, Indiana	\$75
Andrew Tocci, Indiana	\$75
Josh Topor, Indiana	\$75
Anthony Vicelja, Indiana	\$75
Tommy Wahlstrom, Indiana	\$75
Samuel Warden, Indiana	\$75
Brendan Woods, Indiana	\$75
Nathan Dancy, Indiana	\$37
Jack Ankony, Indiana	\$37
Ethan Bende, Indiana	\$37
Sean Foley, Indiana	\$37
Daly Frost, Indiana	\$37
Robert Gerwing II, Indiana	\$37
Dylan Harris, Indiana	\$37
Dylan Horvitz, Indiana	\$37
William Iverson, Indiana	\$37
Jack Lampert, Indiana	\$37
pencer Lyons, Indiana	\$37
Lucas Mooser, Indiana	\$37
Tristan Nedelcu Sr, Indiana	\$37
John Perkins Jr, Indiana	\$37
Joshua Schoenhaus, Indiana	\$37
Burkely Seekri, Indiana	\$37
Benjamin Vandenbark, Indiana	\$37
Anthony Vitullo, Indiana	\$37
Zach Weber, Indiana	\$37
Spencer Yauch, Indiana	\$37
Ethan Ytterberg, Indiana	\$37
<u>Iowa ASP Scholarships (Fall 2021)</u>	
Fabian Vega, Iowa	\$191
Weston McMann, Iowa	\$178
Josh Wolf, Iowa.	\$178
Brendan Forrest, Iowa	\$166
Blake Arends, Iowa	\$161
Sullivan Gregory, Iowa	\$161

Acacia Fraternity Foundation 2021-2022 Annual Report

Iowa ASP Scholarships (Fall 2021), continued

Eddie Vega, Iowa	\$161
Nick Downey, Iowa	\$151
Joseph Laera, Iowa	\$151
Andrew Corona, Iowa	\$146
Hunter Utsler, Iowa	\$146
Caleb Fitch, Iowa	\$141
Cole Belcher, Iowa	\$141
Ryan Yuson, Iowa	\$141
Keegan Nagle, Iowa	\$141
Brendan Rodatz, Iowa	\$124
Shawn Hiratsuma, Iowa	\$124
Max Gonzalez, Iowa	\$124
Shane Arnold, Iowa	\$111
Tim Mumm, Iowa	\$108
Jake Dagys, Iowa	\$108
Cole Hillier, Iowa	\$108
Jacob Smith, Iowa	\$95
Ben Price, Iowa	\$83
Nong Press, Iowa	\$83
Nate Fritz, Iowa	\$83
Travis Thomas, Iowa	\$83
Tristyn O'Conner, Iowa	\$83
Jon Teitelbaum, Iowa	\$83
Cody Hotman, Iowa	\$83
Corey Anderson, Iowa	\$64
Kayle Fairchild, Iowa	\$41
Jarod Moeller, Iowa	\$41
Daniel Fitch, Iowa	\$41
Richard Dihn, Iowa	\$41
Alex Guzman, Iowa	\$41
Hayden Witmer, Iowa	\$41
Jack Moran, Iowa	\$41
Jack Ossenkop, Iowa	\$41
Chase Wuebker, Iowa	\$41
Emiliano Paz, Iowa	\$41
Alex Gramowski, Iowa	\$41
Kevin Burg, Iowa	\$41
Brandon Coble, Iowa	\$41
Santiago Munoz, Iowa	\$41
Alex Epstein, Iowa	\$41

Iowa ASP Scholarships (Spring 2021)

Jonah Blondino, Iowa	\$170
Ben Price, Iowa	\$170
Zach Taylor, Iowa	\$170
Emiliao Paz, Iowa	\$153
Sullivan Gregory, Iowa	\$143
Nicholas Downey, Iowa	\$134
Dylan Glawe, Iowa	\$134
Cole Hillier, Iowa	\$134
Hunter Utsler, Iowa	\$134
James Trainor, Iowa	\$133
Kayle Fairchild, Iowa	\$130
Caleb Fitch, Iowa	\$125
Shane Arnold, Iowa	\$125
Cole Belcher, Iowa	\$125
Tim Mumm, Iowa	\$125
Keegan Nagle, Iowa	\$125
Brendan Rodatz, Iowa	\$125
Jon Teitelbaum, Iowa	\$125
Josh Wolf, Iowa	\$125
Jake Dagys, Iowa	\$110
Jarod Moeller, Iowa	\$110
Jacob Smith, Iowa	\$110
Ryan Yuson, Iowa	\$110
Alex Epstein, Iowa	\$108

Iowa ASP Scholarships (Spring 2021), continued

Max Gonzalez, Iowa	\$96
Fabian Vega, Iowa	\$96
Ryan Kasynski, Iowa	\$88
Jack Schaefer, Iowa	\$88
Marco Guadiana, Iowa	\$81
Andrew Corona, Iowa	\$77
Shawn Hiramatsu, Iowa	\$73
Joseph Laera, Iowa	\$73
Shray Patel, Iowa	\$73
Connor Petersen, Iowa	\$66
Richard Dinh, Iowa	\$59
Kyle Leninger, Iowa	\$48
Blake Arends, Iowa	\$37
Kevin Berg, Iowa	\$37
Brandon Coble, Iowa	\$37
Konner Douglas, Iowa	\$37
Alex Gramowski, Iowa	\$37
Sam Hook, Iowa	\$37
Jack Moran, Iowa	\$37
Jack Ossenkop, Iowa	\$37
Jack Tierney, Iowa	\$37
Eddie Vega, Iowa	\$37
Hayden Witmer, Iowa	\$37

Iowa Chapter 345 Scholarships

Blake Arende, Iowa	\$500
Cole Belcher, Iowa	\$500
Caleb Fitch, Iowa	\$500
Brendan Forrest, Iowa	\$250
Weston McMann, Iowa	\$250

Iowa State – Edwin Drdla Educational Fund

Scholarships (Fall 2021)

Nathan Harter, Iowa State	\$975
William Sibilski, Iowa State	\$975
Graysen Hunter, Iowa State	\$675
Steven Parks, Iowa State	\$675
Jacob Aberle, Iowa State	\$475
Logan Carpenter, Iowa State	\$475
Maximillian Hover, Iowa State	\$475
Hunter Jennings, Iowa State	\$475
Levi Kettle, Iowa State	\$475
Matthew Roth, Iowa State	\$475

Iowa State – Harold Zarr Educational Endowment

Scholarships (Spring 2021)

Nathaniel Harter, Iowa State	\$2,000
Jacob Aberle, Iowa State	\$1,500
Ian Louis, Iowa State	\$1,500
Charles Teggatz, Iowa State	\$1,500
Samuel Barber, Iowa State	\$1,000
Cole Chittenden, Iowa State	\$1,000
Hunter Jennings, Iowa State	\$1,000
Levi Kettle, Iowa State	\$1,000
Brandon McClain, Iowa State	\$500
William Sibilski, Iowa State	\$500
Gabriel Kjeldgaard, Iowa State	\$250
Graysen D. Hunter, Iowa State	\$200

Louisiana State Scholarships (Fall 2021)

Jackson Tramuta, LSU	\$1,520
Eric Milligan, LSU	\$1,520
Will Aguillard, LSU	\$1,420
Marco Perez, LSU	\$1,420
Andrew Richardson, LSU	\$1,420

Acacia Fraternity Foundation 2021-2022 Annual Report

Louisiana State Scholarships (Fall 2021), continued

Logan Andrews, LSU	\$600
Noah Diez, LSU	\$600
Michael Shea, LSU	\$600
Joseph Aguda, LSU	\$400
Sebastian Aguilar, LSU	\$400
Michael Barkemeyer, LSU	\$400
Antonio Giustra, LSU	\$400
Daniel Guillie, LSU	\$400
Grant Lapeyronnie, LSU	\$400
Josh Mattei, LSU	\$400
Dylan McDonald, LSU	\$400
Philip Melton, LSU	\$400
Christian Taulli, LSU	\$400
Quinn Thibodeaux, LSU	\$400
Jake Lee Adaway, LSU	\$300
Charles Baker, LSU	\$300
Carlos Fernandez, LSU	\$300
Jack Rau, LSU	\$300
Luke Rau, LSU	\$300
Brenner Rauch, LSU	\$300
Blake Robbins, LSU	\$300
Brandon Robbins, LSU	\$300

Louisiana State Scholarships (Spring 2021)

Grant Lapeyronnie, LSU	\$700
Jake Lee Adaway, LSU	\$500
Joseph Aguda, LSU	\$500
Will Aguillard, LSU	\$500
Cory Ballas, LSU	\$500
Braden Brignac, LSU	\$500
Noah Diez, LSU	\$500
Daniel Guillie, LSU	\$500
Michael Shea, LSU	\$500
Colin Patrick, LSU	\$500
Marco Perez, LSU	\$500
Andrew Richardson, LSU	\$500
Blake Robbins, LSU	\$500
Ryan Smith, LSU	\$500
Marshall Allen, LSU	\$400
Michael Barkemeyer, LSU	\$400
Alex Genois, LSU	\$400
Antonio Giustra, LSU	\$400
Grant Jenny, LSU	\$400
Dante Maraldo, LSU	\$400
Josh Mattei, LSU	\$400
Philip Melton, LSU	\$400
Tyler Pesshoff, LSU	\$400
Luke Rau, LSU	\$400
Reece Spinnato, LSU	\$400
Quinn Thibodeaux, LSU	\$400
Jackson Tramuta, LSU	\$400

St. Cloud State Charles Joriman Scholarship

Tanner Armstrong, St. Cloud State	\$500
Derek Thury, St. Cloud State	\$500
Cade Unitan, St. Cloud State	\$250

Minnesota Donald H. Arvold Memorial Scholarships

Tanner Armstrong, St. Cloud State	\$1,000
Joey Mitchell, St. Cloud State	\$1,000
Tanner Armstrong, St. Cloud State	\$1,000

Nebraska L Ronald Letson Scholarship

Garrett Kuss, Nebraska	\$1,000
Nicholas Kincannon Jr., Nebraska	\$500
Ryker Von Brocklin, Nebraska	\$500

Oregon State Richard S. Reid Scholarships

<u>Spring 2021</u>	
Brandon Hughes, Oregon State	\$1,000
Matthew Little, Oregon State	\$1,000
Walker Leirman, Oregon State	\$1,000
Owen Ross, Oregon State	\$1,000
Drew Sain, Oregon State	\$1,000

Oregon State Richard S. Reid Scholarships Fall 2021

Marcello Cardona, Oregon State	\$1,000
Zach Kowash, Oregon State	\$1,000
Walker Lierman, Oregon State	\$1,000
Drew Sain, Oregon State	\$1,000
Ashton Schrage, Oregon State	\$1,000

Penn State W. Russell Scott Memorial Scholarship

Jake McKeown, Penn State	\$700
--------------------------	-------

Penn State G. Kenneth Nelson Memorial Scholarships

Dylan Homman, Penn State	\$400
Joey Behan, Penn State	\$300

Penn State Glenn C. Ream Memorial Scholarships

Prince Gabriel, Penn State	\$400
Alex Furry, Penn State	\$250

Purdue Leonard E. Wood Chapter Advisor's Scholarships

Drew Austin, Purdue	\$1,428
Griffin Dunn, Purdue	\$1,428
Alex Cook, Purdue	\$1,428
David Homme, Purdue	\$1,428
Mason Merkel, Purdue	\$1,428
Aaron Varnau, Purdue	\$1,428
Benjamin Walbaum, Purdue	\$1,428

Washington State Scholarships Fall 2021

Jonathan Douglas, Washington State	\$1000
Nathan Hascall, Washington State	\$1,000
Connor Hastings, Washington State	\$1,000
Dodge Matthews, Washington State	\$1,000
Ethan Nelson, Washington State	\$1,000
Aiden Pickering, Washington State	\$1,000
Kristian Pitts, Washington State	\$1,000
Seth O'Brien-Moter, Washington State	\$1,000
Blake Schmidt, Washington State	\$1,000
Hunter Schueller, Washington State	\$1,000
Evan Sigmon, Washington State	\$1,000
Elija Stidham, Washington State	\$1,000
Bergin Till, Washington State	\$1,000

Washington State Scholarships Spring 2021

Jonathan Douglas, Washington State	\$1000
Nathan Hascall, Washington State	\$1,000
Connor Hastings, Washington State	\$1,000
Dodge Matthews, Washington State	\$1,000
Ethan Nelson, Washington State	\$1,000
Aiden Pickering, Washington State	\$1,000
Kristian Pitts, Washington State	\$1,000
Seth O'Brien-Moter, Washington State	\$1,000
Blake Schmidt, Washington State	\$1,000
Hunter Schueller, Washington State	\$1,000
Evan Sigmon, Washington State	\$1,000
Elija Stidham, Washington State	\$1,000
Bergin Till, Washington State	\$1,000

Acacia Fraternity Foundation 2021-2022 Annual Report

Wisconsin Michael S. Hannes Memorial Scholarships

Alex Holland, Wisconsin	\$1,000
Alvin Hsieh, Wisconsin	\$1,000
Krethikram Gowrisankara, Wisconsin	\$1,000

Chapter Accounts

The Foundation has established an account for every chapter and colony. Many chapters have established additional accounts for special purposes such as building funds and named scholarships. Please refer to the attached financial statement for a complete list of chapter accounts.

Chapter accounts can be used to support qualified educational activities, including:

- Cornerstones, Acacia's undergraduate member development program
- Chapter scholarships and membership recruitment scholarships
- Leadership and other member achievement awards
- Educational seminars, faculty speakers and community service projects
- Chapter library materials, including furniture and computers
- Internet and campus computer system connections, equipment, and monthly fees
- Study programs including rental of on-campus study rooms
- Renovation, maintenance, and operation of the qualified educational portion of chapter houses
- Expenses for attending the Acacia Leadership Academy and Officer Leadership Summit

The Foundation credits investment earnings to chapter accounts that maintain balances of \$1,000 or more.

Endowments

Foundation endowments provide an opportunity for donors to make a lasting contribution to Acacia's future. Donors may make gifts of any size to any of the following Foundation endowments.

- Acacia Fraternity Endowment - Contributions to this endowment provide a permanent source of funding for Acacia Fraternity headquarters.
- Chapter Support Endowment - Contributions to this endowment provide a permanent source of funding for chapter development. (Examples include Acacia Fraternity staff and travel expenses for extended on-site support, funding for at-risk chapters and scholarship recruitment programs.)
- Communications Endowment - Contributions to this endowment provide a permanent source of funding to increase the effectiveness of Acacia's undergraduate and alumni communications. (Examples include the Triad, Crest, e-newsletters, chapter publications, social media and alumni gatherings.)
- Darold W. Larson Leadership Programs Endowment - Contributions to this endowment provide a permanent source of funding for Acacia Fraternity's leadership development programs. (Examples include Cornerstones, the annual Darold W. Larson Leadership Academy and Lee Kearney Leadership Summit, chapter officer and alumni leadership gatherings and development of alumni leaders.)
- Foundation Future Endowment - Contributions to this endowment provide a permanent source of funding to sustain Foundation growth.
- Foundation Scholarship Endowment - Contributions to this endowment provide a permanent source of funding for growth in the number and amount of annual Foundation scholarship awards.
- Internship Endowment - Contributions to this endowment provide a permanent source of funding to advance Acacia Fraternity by engaging exceptional undergraduates as interns, developing their personal growth through management experience and other professional opportunities as temporary staff members of the Fraternity or Foundation.

Donors may also establish a named Foundation endowment with an initial contribution of \$25,000 or more. The Foundation's donor-established endowments are:

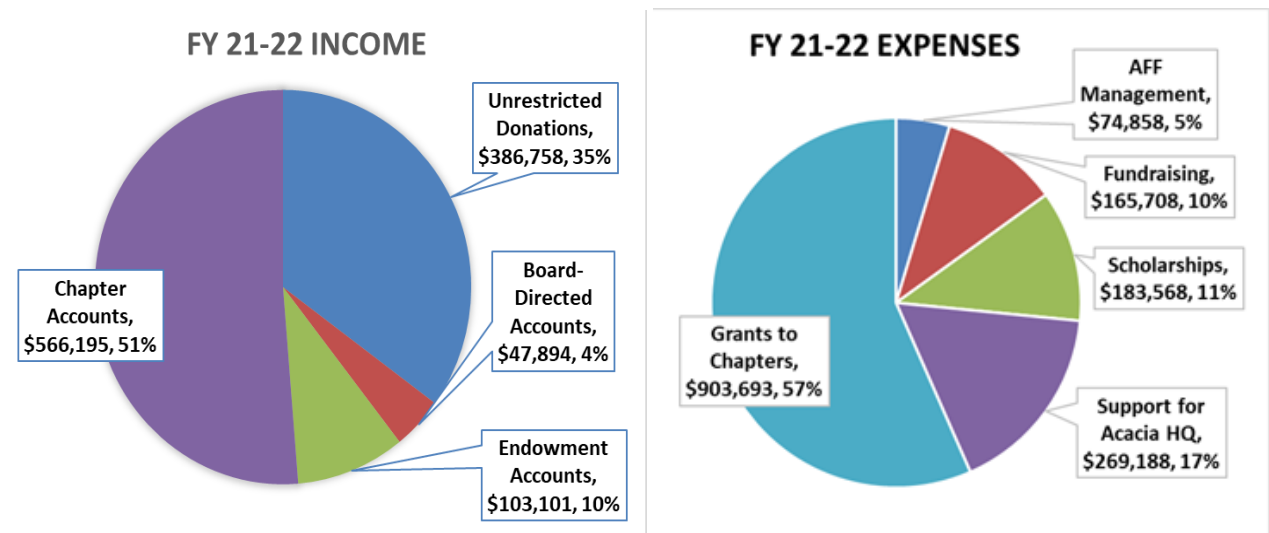
Acacia Fraternity Foundation 2021-2022 Annual Report

- [Irving J. Field \(Memorial\) Conclave Scholarship Luncheon Speakers Endowment](#)
- [John F. Hoffner Leadership Academy Speakers Endowment](#)
- [George Woolsey \(Memorial\) California Chapter Scholarship Endowment](#)
- [Emma C. Allen Memorial Indiana Chapter Scholarship Endowment](#)
- [David J. Allen \(Memorial\) Scholarship Endowment](#)
- [Harold Zarr Iowa State Educational Endowment](#)
- [Bill and Erma Riley Kansas State Leadership Endowment](#)
- [Dr. Stan and Ann Tao Graduate Study Scholarship Endowment](#)
- [Lester N. Liebel \(Memorial\) Washington State Cornerstones Endowment](#)

Foundation Fiscal Year Financial Report

The Foundation's summary financial statement for the fiscal year ending June 30, 2022, is attached at the end of this annual report.

Foundation income and expenses for the fiscal year were:



Foundation Assets

The Foundation's assets are professionally managed by the Indianapolis office of UBS, the world's largest wealth manager. The UBS Indianapolis office specializes in managing investments for national fraternity and sorority foundations. The Foundation's Investment Committee monitors the work of our UBS asset managers. The Foundation has two investment funds at UBS, a conservative fund, and a managed fund. Either option may be selected for each chapter account or donor-established endowment account.

The conservative option is designed to safeguard the principal balance of the account. It consists of FDIC insured savings and money market funds. Investment earnings are generally modest in line with short-term bond yields. This option is a prudent choice for accounts being used to fund a current project or commitment. Accounts with balances of \$1,000 or more in the UBS conservative fund were credited with earnings of **2.5%** over the fiscal year.

The Foundation's UBS conservative fund balance was **\$486,068** on June 30, 2022, and \$524,384 on June 30, 2021. The reduction in the UBS conservative fund for the fiscal year is wholly attributable to withdrawals for grants and chapter scholarships.

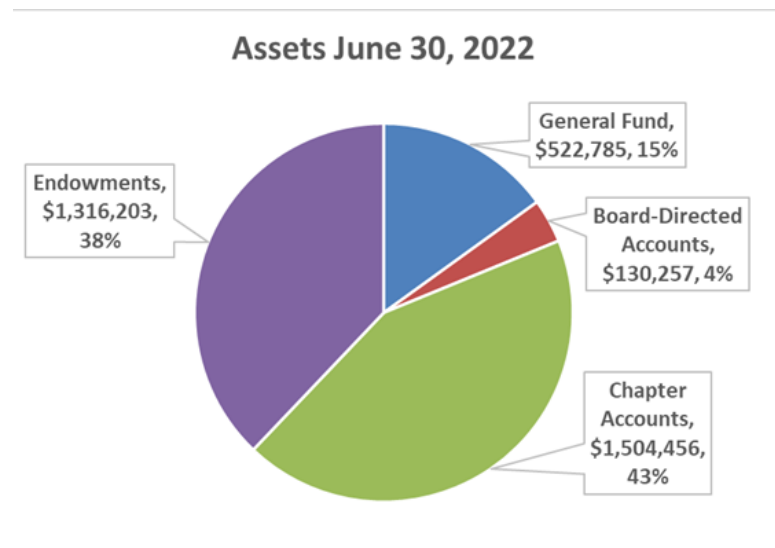
Acacia Fraternity Foundation 2021-2022 Annual Report

The managed option provides an opportunity for significantly higher investment earnings over time; however, this option may lose value during investment market downturns. This investment option uses a mix of fixed-income and equity investments and is a prudent choice for endowments and accounts where long-term growth is desired. Most chapter accounts, endowment accounts and the Foundation's General Fund are invested in the UBS managed fund.

For the first half of the fiscal year (July-December 2021) accounts with balances of \$1,000 or more in the UBS managed fund were credited with earnings of 4.4%. However, the economy and stock markets were not kind to investors during the second half of our fiscal year (January-June 2022) as the U.S. economy officially entered a bear market. The S&P 500 declined 20% and the Russell 3000 declined 21% during the first six months of 2022. This is the first fiscal year since the Great Recession of 2008 that the market value of our managed fund assets declined overall for the fiscal year.

The Foundation's UBS managed fund balance was **\$2,833,710** on June 30, 2022, and \$3,890,239 on June 30, 2021. Withdrawals from the UBS managed fund for grant payments exceeded new deposits by \$447,220 for the fiscal year. After adjusting for these items, the net decline in the balance of the UBS managed fund was \$609,300, or **-15.66%** for the fiscal year ending June 30, 2022.

In addition to the two UBS accounts, the Foundation maintains checking and savings accounts for everyday operations at Chase Bank. Foundation assets on June 30, 2022, were **\$3,473,700**, a decrease of \$1,075,199 compared to June 30, 2021.



IRS Information and Compliance

The Foundation is a qualified tax-exempt organization under Section 501(c)(3) of the Internal Revenue Code. The Foundation's Federal Tax ID is 35-1778332. Contributions are tax-deductible to the full extent provided by law. The Foundation supports Fraternity's leadership training, educational endeavors and educational portions of fraternity house structures and scholarships to deserving student Acacians.

All Foundation expenditures, scholarship awards and educational grants are carefully reviewed and documented in compliance with IRS rulings and guidance to ensure the continued federal tax-deductibility of donations to the Foundation. The Foundation was established on August 18, 1989, under the laws of the State of Indiana.

Membership

The membership of the Foundation is comprised of all active, alumni and honorary members in good standing with Acacia Fraternity who contribute to the Foundation during the twelve months between Annual Meetings. At the end of the 2021-2022 fiscal year the Foundation had **1,119** members.

Acacia Fraternity Foundation 2021-2022 Annual Report

Board of Directors

The members elect representatives at each Annual Meeting to the Foundation's Board of Directors, which oversees the affairs of the Foundation. The Board of Directors is presently composed of 25 voting directors and 7 non-voting emeritus directors representing 24 different Acacia chapters. The Foundation welcomes inquiries and suggestions from alumni, young and old, interested in serving on the board of directors.

Current members of the Board of Directors being nominated for an additional three-year term on the board, to be voted on at the 2022 Annual Meeting:

- **John Clifton Davis, New Hampshire '82** - Order of Pythagoras. Re-Founding Father, New Hampshire Chapter, two term Jr. Dean, Past President New Hampshire Housing Corp Board. John brings to the Foundation Board, an extensive background in Alumni Affairs and Fundraising. Serving several Universities and Colleges as Director of Advancement and Alumni Relations or in a Vice Chancellor role. Currently, John is the Associate Vice President for College Advancement for Saint Anselm College, Manchester, NH. Resides in Bedford, NH
- **Brian R. Durst, Wisconsin '87** - Order of Pythagoras, Award of Merit, Re-founding Father, Wisconsin Chapter. HCB President Wisconsin; Foundation Board of Directors 2014-Present. District Sales Manager, American Family Insurance; resides in Woodstock (Atlanta), GA
- **Andrew Jee, Oregon State '87** - Order of Pythagoras, Award of Merit. Past Leadership Consultant on Acacia International Staff. Foundation Board of Directors 2010-Present. Chair of the Scholarship Committee. Attorney with Jee Law, PLLC; resides in Dallas, TX
- **Robert E. Roberson, Illinois Wesleyan '74** - Order of Pythagoras, Award of Merit, George F. Patterson, Jr. Award. HCB President Illinois Wesleyan; International Council Treasurer 1998-2001; International Council President 2009-2014; Foundation Board of Directors 2014-Present. Compliance Examiner for the Federal Deposit Insurance Corporation; resides in Richview, IL
- **Robert G. Travnicsek, M.D., Kansas '59** - Order of Pythagoras, Award of Merit, George F. Patterson, Jr. Award. Joined the U.S. Public Health Service in 1966; Private Practice of Medicine Wilber Nebraska 1968-1989; Harvard School of Public Health 1989-90; District Health Officer Mississippi State Department of Health 1990-2013; Felix Underwood Award; Donald Evans Sutter Award; Physician Service Award; retired July 2013. Resides in Long Beach, MS.
- **William A. Utic, Cornell '74** - Retired corporate real estate manager for Pacific Gas and Electric Company. He is a licensed Professional Engineer and holds additional designations from the American Institute of Certified Planners, the Building Owners and Managers Institute, and the Commercial Investment Management Institute. Bill has been a director of the AFF since 1990 and served as president from 1998-2010. Recipient of the Order of Pythagoras, Award of Merit and George F. Patterson, Jr. Award. He is a past president of the California Chapter house corporation. Resides in Fremont, CA

Current member of the Board of Directors being nominated for an additional four-year term on the board, to be voted on at the 2022 Annual Meeting:

- **Larry E. Schroeder, Georgia '77** - Order of Pythagoras, Award of Merit, and George F. Patterson, Jr. Award. Member of the Foundation Board of Directors since 1996; Past Foundation Treasurer; Worked for McDonnell Douglas Automation as a programmer, General Dynamics as a Senior programmer, IBM as a software engineer and now for Unicom, SI in software support. Resides in Cary, NC.

Members being added to the Board of Directors being nominated for a three-year term on the board, to be voted on at the 2022 Annual Meeting:

- **Marcus W. Mountford, Kansas State '91** - Order of Pythagoras. Kansas State chapter Treasurer, Intramural Chair, and Pledge Class President. Founder and first President of the Arizona State Chapter Housing Corporation. Operations and Governance leader for WTW specializing in Benefits Administration and Outsourcing Solutions. Resides in Bloomington, IL

Continuing their elected terms on the Board of Directors:

- **Dwyte E. Brooks, Northwestern '69** – Order of Pythagoras. DMD, FAGD, FADL. American Dental Association delegate (retired), Council on Ethics, Bylaws and Judicial Affairs; ADA Standing Committee on Constitution and Bylaws; Clinical Faculty, UNLV School of Dental Medicine; President of the board for

Acacia Fraternity Foundation 2021-2022 Annual Report

Helping Kids Clinic charity. Helped to distribute and give COVID vaccines across the state of Nevada. Resides in Las Vegas, NV.

- **Gerald C. Cook, Shippensburg '66** - Order of Pythagoras, Award of Merit, and George F. Patterson, Jr. Award, Donald W. Solanas, Jr. Lifetime Service to Acacia Award; President Foundation Board of Directors 1994-1998; International Council President 1998-2002; Past Southern Region Director of Planned Parenthood Federation of America. Lead Public Health Advisor (retired) for the Centers for Disease Control and Prevention (CDC) Atlanta, GA. Resides in Roswell, GA.
- **Michael P. Fillman, Western Ontario '85** - Michael Fillman is a founding member of the University of Western Ontario chapter and served as its first elected Venerable Dean. He has been awarded the Order of Pythagoras and the Award of Merit and was Treasurer on the International Council from 1990-1998. Michael is a technology industry veteran specializing in corporate development, advising some of the world's largest software companies on acquisitions and mergers. He is retired and currently sits on the Board of Advisors for several software companies and non-profit organizations. He resides in Newport Beach, CA.
- **David L. Ferguson, Indiana '74** - Order of Pythagoras, Award of Merit, Metz Scholar, Beta Gamma Sigma, Indiana Law '81. Lawyer for governmental entities as well as clients in commercial disputes. Served on the County Library Board for 26 years and counting, the County Parks Board for 15 years and currently the Chamber of Commerce Board. Completed historic renovations of several buildings in downtown Bloomington, his hometown, with his cousin John Seeber, Indiana '75. Resides in Bloomington, IN.
- **Guy G. Gebhardt, Illinois Wesleyan '66** - Order of Pythagoras, Award of Merit; Secretary, Foundation Board of Directors since 2019. Trustee, Georgia Rotary Student Program. Retired from the United States Department of Justice, Office of the United States Trustee. Resides in Marietta, GA.
- **Kris R. Lutt, Nebraska '90** - Order of Pythagoras, Award of Merit. Venerable Dean Nebraska 1991-1992; International Undergraduate Councilor 1992-1994. President-Sweeteners, Starches and Acidulants, Archer Daniels Midland Inc.; resides in Decatur, IL
- **Amos Meyers, Shippensburg '66** - Order of Pythagoras, Award of Merit, George F. Patterson, Jr. Award. Immediate Past President Foundation Board of Directors. Elementary teacher and administrator (retired); resides in Oro Valley, AZ
- **David R. Quick, Rensselaer Polytechnic '93** - Order of Pythagoras, Award of Merit. Past Director Ascentium and Development Manager CommerceServer.net/SiteCore; Co-founder Renasar Technologies Inc.; Currently a board member at Kingswood-Oxford School (West Hartford, CT) and Development Manager for Oracle. Resides in Atlanta, GA
- **Dale E. Redman Louisiana State '67** - Order of Pythagoras. As an undergraduate he served as Rush Chairman and Venerable Dean. He received a B.S. in 1970 and M.S. in 1972 from LSU. After graduation, he served for several years on the LSU Chapter House Corporation and in 2006 received the LSU Greek Excellence Award for Acacia. In 2015, he was inducted into the LSU Ourso College of Business Hall of Distinction. His business career started as a CPA in public accounting with Ernst & Ernst. He subsequently served as the Chief Financial Officer for several public companies, was an officer in the Army National Guard from 1970 to 1979, and taught Corporate Finance at LSU from 1999 to 2007. He retired in 2015. Resides in Baton Rouge, LA on LSU Avenue!
- **Michael L. Rollins, Washington '87** - Order of Pythagoras, Award of Merit. Account Executive- Midwest, Matson Navigation Company. Resides in Grayslake, IL
- **Joshua A. Satterfield, Purdue '19** - Student at Purdue University studying marketing with a concentration in data analytics with a double minor in economics and real estate investment. Current Head of Social Media Outreach for the Purdue Chapter of Acacia Fraternity. Resides in West Lafayette, IN.
- **Phil Sutton, Ohio State '88** - Order of Pythagoras. Rush Chairman, Senior Dean, and Venerable Dean, and Rush Coordinator and then President of the Interfraternity Council. Previously, a member of the Ohio State Association Board. Retired from Marathon Petroleum Company. Resides in Columbus, OH.
- **Byron A. Tabor, Iowa '78** - Order of Pythagoras, Award of Merit. Iowa Chapter Advisor; Corporation Board member 2001-2015; Kiwanis member served as Lt. Governor six times. Current Commissioner of the Kiwanis Miracle League at Prospect Meadows. Retired computer programmer for the derivatives team in the Investments Division of AEGON Asset Management. Resides in Cedar Rapids, IA.
- **Michael C. Tu, California '91** - Order of Pythagoras, Award of Merit. Attorney and Partner at Cooley LLP, where he specializes in securities litigation and enforcement at the Los Angeles office; resides in La Canada Flintridge, CA

Acacia Fraternity Foundation 2021-2022 Annual Report

- **Dewayne Ullsperger, Nebraska '82**- Venerable Dean Nebraska Chapter 1984-1985; recipient of the Roy C. Clark Award, Order of Pythagoras, Award of Merit, and George F. Patterson, Jr. Award. Vice President and Actuary, UnitedHealth Group; resides in Minnetonka, MN
- **Richard I. Williams, Grand Valley State '00** - Order of Pythagoras, Award of Merit. Foundation Board of Directors since 2018. Attorney and Consultant; Resides in Grand Rapids, MI.

Retiring from the Board of Directors at the 2022 Annual Meeting:

- **Donald W. Solanas, Jr., Louisiana State '68** - Order of Pythagoras, Award of Merit, George F. Patterson, Jr. Award, Donald W. Solanas, Jr. Lifetime Service to Acacia Award. Venerable Dean Louisiana State, National Undergraduate Councilor 1971-1972, National and International Second Vice President 1982-1992, International Council President 1992-1998. Past Foundation president. Co-Owner and Chief Operating Officer Arrowhead Energy Exploration, LLC; resides in Baton Rouge, LA
- **Eric V. Zwigart, California of Pennsylvania '93** - Order of Pythagoras. Foundation Board of Directors 2018 – Present. Eric joined the United State Marine Corps as a Military Police Officer reservist while attending California University of PA. After graduation, he completed his time in the USMC Reserves and began working for a family owned company in Southern California. Currently Founder and CEO of RPP Products, Inc.

We thank Don and Eric for their many years of dedicated service to Acacia and the Foundation.

Emeritus Directors:

Seven former directors participate in board of director meetings as non-voting emeritus directors. The Foundation continues to benefit from their advice and participation:

- **John C. Barber, M.D. Purdue '58** - Order of Pythagoras, Award of Merit. Ophthalmologist (retired); resides in Pittsburgh, PA
- **John F. Beering, Purdue '88** - Order of Pythagoras, Award of Merit. Purdue House Corporation President 2021-present. President of United Access LLC, Resides in St Louis MO
- **Ronald T. Hopkins, Syracuse '69** - Order of Pythagoras, Award of Merit, George F. Patterson, Jr. Award. National Council Treasurer 1985-1988; International Council Treasurer 1988-1990; Foundation Board of Directors 2000-2012; President, George O. Miller Co.; resides in Fayetteville, NY
- **James N. Katsaounis, Ohio '95** - Order of Pythagoras, Award of Merit. Director of Communications Acacia International Staff. HCB President Ohio. Past Foundation Secretary. Past director of public relations for the Grand Lodge Free & Accepted Masons of Pennsylvania.
- **John B. Lane, Vermont '57** - Order of Pythagoras, Award of Merit. Emeritus Director 2017-Present. Professor of mathematics and computer science (retired); resides in Cambridge Springs, PA
- **William M. (Bill) Riley, Jr., Kansas State '60** - Order of Pythagoras, Award of Merit, George F. Patterson, Jr. Award. Kansas State House Corporation President 2002-2006. Foundation Board of Directors 2006-2011, President 2011-2013. President of The Pathfinder, Inc. (retail outdoor clothing and equipment), past Chairman of the National Trustee Council of the Nature Conservancy, past President of the Kansas 4-H Foundation; resides in Manhattan, KS
- **John W. (Jack) Wedgwood, Purdue '60** - Order of Pythagoras, Award of Merit. Emeritus Director 2017-Present. Investment manager, DWR Wealth Management; resides in San Jose, CA

Annual Meetings

The Foundation's 2021 Annual Meeting was held Saturday, July 31, 2021, at the Foundation office in Carmel, IN. The minutes of the 2021 Annual Meeting are attached to this report.

The 2022 Annual Meeting will be held on Saturday August 6, 2022, at 1:00 p.m. at Sheraton Downtown Atlanta Hotel in Atlanta, GA during Acacia's biennial Conclave.

Acacia Fraternity Foundation 2021-2022 Annual Report

Contact Information:

The Foundation's offices are co-located with Acacia Fraternity headquarters at 12721 Meeting House Road, Carmel, IN 46032. The Foundation can be contacted at this address, by calling 317-872-8210 or by E-mail to: dlarson@acacia.org.

Conclusion

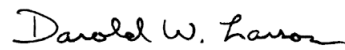
On behalf of the Board of Directors, thank you for your support of Acacia Fraternity through the Acacia Fraternity Foundation. A copy of the Foundation's 2021-2022 summary financial statement is included as an attachment to this report.

We invite you to renew your support to Acacia with a generous donation to the Exceptional (Annual) Fund this fall and to include the Foundation in your estate planning. You can show your continuing support by visiting acacia.org/donate and give your gift to the Black and Gold.

Fraternally,



Kris R. Lutt, Nebraska, '90
President, Acacia Fraternity Foundation



*Darold W. Larson, Washington State '81
Executive Director*

Attachments:

FY 21-22 Summary Financial Statement
2021 Annual Meeting Minutes

Minutes of Acacia Fraternity Foundation, Inc. Annual Meeting

July 31, 2021

Carmel, Indiana

Foundation President Kris Lutt called the Annual Meeting of the Acacia Fraternity Foundation, Inc. (“AFF” or the “Foundation”) to order at 1:05 p.m., EDT, July 31, 2021.

1. Roll

Brother Gebhardt called the roll. The following members attended the meeting:

Brothers John Beering (Purdue), Jeff Boaz (Illinois Wesleyan), Dwyte Brooks (Northwestern), Gerald Cook (Shippensburg), John Davis (New Hampshire), Brian Durst (Wisconsin), Dave Ferguson (Indiana), Mike Fillman (Western Ontario), Guy Gebhardt (Illinois Wesleyan), Andrew Jee (Oregon State), Darold Larson (Washington State), Kris Lutt (Nebraska), Patrick McGovern (Indiana), Scott Meyer (St. Cloud State), Amos Meyers (Shippensburg), David Quick (Rensselaer), Dale Redman (Louisiana State), Rob Roberson (Illinois Wesleyan), Mike Rollins (Washington), Joshua Satterfield (Purdue), Larry Schroeder (Georgia), Phil Sutton (Ohio State), Byron Tabor (Iowa), Michael Tu (California), Dewey Ullsperger (Nebraska), Bill Utic (Cornell), David Williams (Illinois Wesleyan), and Rick Williams (Grand Valley State).

2. Quorum

Brother Gebhardt reported there are 1100 members of the AFF eligible to vote and the Foundation received 285 valid proxies. As more than ten percent of members are attending in person or by proxy, a quorum has been established.

3. Approval of Minutes

Brother Schroeder moved to approve the minutes of the August 19, 2020 Annual Meeting and Brother Meyers seconded the motion. The motion passed unanimously.

4. Election of Directors

Brother Durst presented the nominations for directors to serve a three-year term. Brother Schroeder moved to approve the slate as presented and Brother Beering seconded the motion. The motion passed unanimously. The following directors were elected for a three-year term: Brothers Dwyte Brooks (Northwestern), Guy Gebhardt (Illinois Wesleyan), Kris Lutt (Nebraska), Amos Meyers (Shippensburg), Mike Rollins (Washington), Phil Sutton (Ohio State), and Dewey Ullsperger (Nebraska).

5. Annual Report

Brother Larson presented the Annual Report. Brother Schroeder moved to accept the Annual Report and Brother Quick seconded the motion. The motion passed unanimously.

6. Adjournment

There being no new business to come before the Annual Meeting of the Foundation, Brother Schroeder moved to adjourn the meeting and Brother Brooks seconded the motion. The motion passed unanimously and the meeting adjourned at 1:13 p.m.

Respectfully submitted,

Guy G. Gebhardt

Secretary

Acacia Fraternity Foundation
Sources and Uses of Funds (unaudited)
Fiscal Year 2021-2022
July 1, 2021 - June 30, 2022

EXPENDITURES

Management and General:

Accounting Fees	\$2,028
Bank Charges	\$3,063
Bookkeeping, Data Entry and Donor Records Support	\$15,000
Foundation Staff	\$22,258
Information Technology	\$781
Investment Management Fees	\$25,681
Liability Insurance	\$2,826
Legal Fees	\$0
Misc. Office Expenses (copy, phone, mail)	\$1,355
Foundation for Fraternal Excellence Membership	\$1,500
Meeting Expenses including Teleconferences	\$366
Subtotal Management and General Expenditures	\$74,858

Fundraising:

Donor Development Activities	\$22,587
Fundraising Program Development	\$0
Chapter Alumni Dues Program (reimbursible)	\$3,292
Foundation Staff	\$89,034
Information Technology	\$1,821
Misc. Office Expenses (copy, phone, mail)	\$1,355
Office Postage Machine	\$7,040
Stationary, Printing and Mailing House Postage	\$28,170
Travel	\$12,409
Subtotal Fundraising Expenditures	\$165,708

Program Services:

Support for Acacia Fraternity Headquarters Operation	\$269,188
Educational Grants to Chapters	\$903,693
Foundation Scholarships	\$18,500
Scholarships from Chapter Accounts	\$165,068
Subtotal Program Services Expenditures	\$1,356,449

TOTAL FOUNDATION EXPENDITURES **\$1,597,015**

INCOME

Donor Contributions:

Exceptional Fund - Unrestricted Portion	\$256,524
Exceptional Fund - Board Discretionary Portion	\$5,234
Unrestricted Major Gifts (\$25K +)	\$125,000
Subtotal Unrestricted Contributions	\$386,758

Annual Leadership Academy Appeal	\$20,764
Other Board-directed accounts	\$27,130
Endowment accounts	\$103,101
Chapter accounts	\$566,195
Subtotal Restricted Contributions	\$717,190

Investment Income:

Realized Investment Earnings	\$92,914
Unrealized Investment Earnings	(\$675,048)
Subtotal Investment Earnings	-\$582,134

TOTAL FOUNDATION INCOME **\$521,814**

NET INCOME **(\$1,075,201)**

**NET INCOME EXCLUDING UNREALIZED MARKET
VALUE LOSS ON INVESTMENTS** **(\$400,153)**

**Acacia Fraternity Foundation
Balance Sheet (unaudited)
Fiscal Year 2021-2022
July 1, 2021 - June 30, 2022**

	<u>6/30/2021</u>	<u>6/30/2022</u>	<u>Change</u>
ASSETS			
Chase Checking Account	\$39,601	\$46,738	\$7,137
Chase Savings Account	\$40,004	\$5	-\$39,999
Receivable - Fraternity borrowing from Chase Savings Acct	\$0	\$40,000	\$40,000
Property	\$4,680	\$4,680	\$0
Investment Accounts	\$4,414,614	\$3,319,778	-\$1,094,836
Receivable - California House Corporation loan	\$50,000	\$37,500	-\$12,500
Receivable - Ohio House Corporation loan	\$0	\$25,000	\$25,000
Total Assets	\$4,548,899	\$3,473,701	-\$1,075,198
LIABILITIES			
Educational Grants payable	\$0	\$0	\$0
Scholarships payable	\$0	\$0	\$0
Expenses payable	\$0	\$0	\$0
Other	\$0	\$0	\$0
Subtotal Liabilities	\$0	\$0	\$0
FUND BALANCES			
Unrestricted Funds			
General Fund (cash and investments)	\$606,776	\$518,105	-\$88,671
Property (Book Collection)	\$4,680	\$4,680	\$0
Subtotal Unrestricted:	\$611,456	\$522,785	-\$88,671
Temporarily Restricted Funds			
Board-Directed Funds	\$81,513	\$130,257	\$48,744
Chapter-Directed Funds	\$2,270,252	\$1,504,456	-\$765,796
Subtotal:	\$2,351,765	\$1,634,713	-\$717,052
Permanently Restricted Funds			
Board Endowments	\$862,979	\$750,478	-\$112,501
Donor Endowments	\$722,699	\$565,725	-\$156,974
Subtotal:	\$1,585,678	\$1,316,203	-\$269,475
	\$0	\$0	\$0
Total Fund Balances	\$4,548,899	\$3,473,701	-\$1,075,198
Total Liabilities and Fund Balances	\$4,548,899	\$3,473,701	-\$1,075,198

Acacia Fraternity Foundation
Board-Directed Accounts and Endowments
Account Balances on June 30, 2022 (unaudited)

	<u>6/30/2021</u>	<u>6/30/2022</u>	<u>Change</u>
Board-Directed Accounts			
General Fund (Unrestricted)	\$606,776	\$518,105	(\$88,671)
Exceptional Fund - Board Discretionary Portion	\$26,248	\$4,441	(\$21,807)
Leadership Academy Fund	\$8,182	\$17,267	\$9,085
Cornerstones Fund	\$18,019	\$14,376	(\$3,643)
Fraternal and Communications Fund	\$8,437	\$5,272	(\$3,165)
International Council Conclave Speakers Fund	\$5,470	\$4,047	(\$1,423)
Meeting House Road Fund	\$15,115	\$12,831	(\$2,284)
Pythagoras Membership Manual Fund	\$42	\$18,124	\$18,082
Scholarship Recruitment Fund	\$62,295	\$53,880	(\$8,415)
Pay It Forward Fund	\$0	\$20	\$20
Total Board-Directed Funds	\$750,583	\$648,363	(\$102,220)
Board-Established Endowments:			
Acacia Fraternity Endowment - Book Value	\$37,835	\$38,156	\$321
Acacia Fraternity Endowment - Accumulated Earnings	\$23,887	\$11,363	(\$12,524)
Acacia Fraternity Endowment - Total Value	\$61,722	\$49,519	(\$12,203)
Chapter Support Endowment - Book Value	\$599	\$1,693	\$1,094
Chapter Support Endowment - Accumulated Earnings	\$127	(\$168)	(\$295)
Chapter Support Endowment - Total Value	\$726	\$1,525	\$799
Communications Endowment - Book Value	\$6,227	\$7,177	\$950
Communications Endowment - Accumulated Earnings	\$2,081	\$243	(\$1,838)
Communications Endowment - Total Value	\$8,308	\$7,420	(\$888)
Darold W. Larson Leadership Programs Endowment - Book Value	\$95,690	\$104,344	\$8,654
Darold W. Larson Leadership Programs Endowment - Accumulated Earnings	\$27,662	\$985	(\$26,677)
Darold W. Larson Leadership Programs Endowment - Total Value	\$123,352	\$105,329	(\$18,023)
Foundation Future Endowment - Book Value	\$328,338	\$446,531	\$118,193
Foundation Future Endowment - Accumulated Earnings	\$79,146	(\$20,550)	(\$99,696)
Foundation Future Endowment - Total Value	\$407,484	\$425,981	\$18,497
Internship Endowment - Book Value	\$225	\$225	\$0
Internship Endowment - Accumulated Earnings	\$88	\$25	(\$63)
Internship Endowment - Total Value	\$313	\$250	(\$63)
Scholarship Endowment - Book Value	\$126,459	\$128,776	\$2,317
Scholarship Endowment - Accumulated Earnings	\$72,321	\$31,678	(\$40,643)
Scholarship Endowment - Total Value	\$198,780	\$160,454	(\$38,326)
Total Board-Established Endowments	\$800,684	\$750,478	(\$50,206)

Acacia Fraternity Foundation
Account Balances on June 30, 2022 (unaudited)
Donor-Established Endowments

	<u>6/30/2021</u>	<u>6/30/2022</u>	<u>Change</u>
Irv Field AFF Scholarship Luncheon Speakers Endowment - Book Value	\$29,904	\$29,904	\$0
Irv Field AFF Scholarship Luncheon Speakers Endowment - Accumulated Earnings	\$18,821	\$8,970	(\$9,851)
Irv Field AFF Scholarship Luncheon Speakers Endowment - Total Value	\$48,725	\$38,874	(\$9,851)
John F. Hoffner Leadership Series Endowment - Book Value	\$27,993	\$27,993	\$0
John F Hoffner Leadership Series Endowment - Accumulated Earnings	\$37,736	\$24,448	(\$13,288)
John F. Hoffner Leadership Series Endowment - Total Value	\$65,729	\$52,441	(\$13,288)
California - George Woolsey Scholarship Endowment - Book Value	\$48,106	\$65,150	\$17,044
Loan to California House Corporation	\$50,000	\$37,500	(\$12,500)
California - George Woolsey Scholarship Endowment - Accumulated Earnings	\$34,104	\$8,151	(\$25,953)
California - George Woolsey Scholarship Endowment - Total Value	\$132,210	\$110,801	(\$21,409)
Indiana - Emma C. Allen Memorial Scholarship Endowment - Book Value	\$41,129	\$38,191	(\$2,938)
Indiana - Emma C. Allen Memorial Scholarship Endowment - Accumulated Earnings	\$10,086	\$690	(\$9,396)
Indiana - Emma C. Allen Memorial Scholarship Endowment - Total Value	\$51,215	\$38,881	(\$12,334)
Indiana - David J. Allen Memorial Scholarship Endowment - Book Value	\$82,907	\$82,907	\$0
Indiana - David J. Allen Memorial Scholarship Endowment - Accumulated Earnings	\$67,546	\$34,389	(\$33,157)
Indiana - David J. Allen Memorial Scholarship Endowment - Total Value	\$150,453	\$117,296	(\$33,157)
Iowa State - Harold Zarr Educational Endowment - Book Value	\$22,025	\$22,025	\$0
Iowa State - Harold Zarr Educational Endowment - Accumulated Earnings	\$24,491	\$3,653	(\$20,838)
Iowa State - Harold Zarr Educational Endowment - Total Value	\$46,516	\$25,678	(\$20,838)
Kansas State - Bill & Erma Riley Leadership Endowment - Book Value	\$49,929	\$49,929	\$0
Kansas State - Bill & Erma Riley Leadership Endowment - Accumulated Earnings	\$21,093	\$5,149	(\$15,944)
Kansas State - Bill & Erma Riley Leadership Endowment - Total Value	\$71,022	\$55,078	(\$15,944)
Ling Western Colonies and Chapter Endowment - Book Value	\$50,000	\$50,000	\$0
Ling Western Colonies and Chapter Endowment - Accumulated Earnings	\$12,128	\$2,035	(\$10,093)
Ling Western Colonies and Chapter Endowment - Total Value	\$62,128	\$52,035	(\$10,093)
Dr. Stan and Ann Tao Graduate Scholarship Endowment - Book Value	\$5,000	\$5,000	\$0
Dr. Stan and Ann Tao Graduate Scholarship Endowment - Accumulated Earnings	\$890	-\$250	(\$1,140)
Dr. Stan and Ann Tao Graduate Scholarship Endowment - Total Value	\$5,890	\$4,750	(\$1,140)
Washington State - Lester N. Liebel Cornerstones Endowment - Book Value	\$49,984	\$49,984	\$0
Washington State - Lester N. Liebel Cornerstones Endowment - Accumulated Earnings	\$38,830	\$19,908	(\$18,922)
Washington State - Lester N. Liebel Cornerstones Endowment - Total Value	\$88,814	\$69,892	(\$18,922)
Total Donor-Established Endowments	\$722,700	\$565,724	(\$156,979)

Gawtmg

Ai -- Iomaya

J At -- Ttobiw

HJ -- Tttopshy

Sa74tomt -- Pfseagi

GstwJ -- SfopfEtgyd

Dtoshta -- Rwb

Tmtst - D -- Ctbyd

SEt -- Prw

SocwJawwst -- Lydw

Barwst - N -- Vgahyd

Mt -- Sydswo

HJ -- Eibyh

Ahitpy